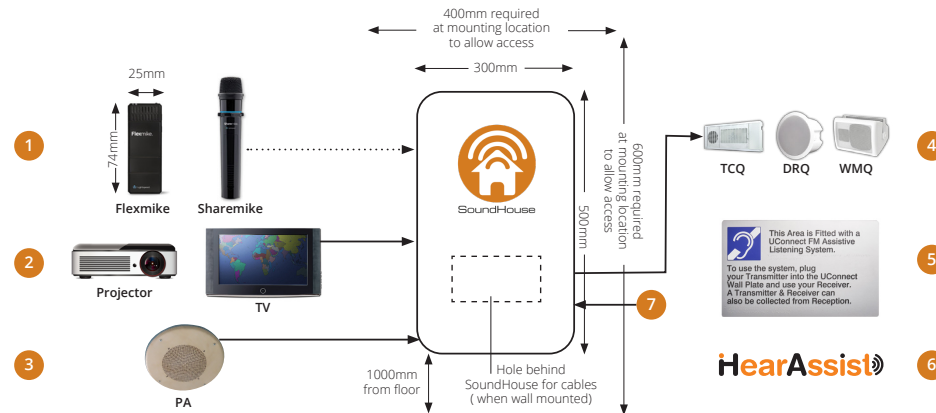


Installation Instructions

SoundHouse by hearandlearn.com.au is a wall plate system with steel cabinet at rear premade with internal electronics and power supply to collect teacher and student voices, and AV, and broadcast them via discreet speakers to all areas of learning spaces (ie soundfield). SoundHouse also makes all audio (including PA) available for connection to the different current generation transmitters to receivers in assistive listening devices worn by learners, teachers and visitors (ie hearing

augmentation). Learners, teachers and visitors can use their own transmitters, or use those maintained by the School for communal use. In some cases, it is recommended SoundHouse be fitted with permanent transmitters. SoundHouse also offers storage for microphones and teacher devices. SoundHouse is for everyday use by teachers and learners, be unobscured, have easy access and with line of sight of areas of the room. It can be wall mounted or recessed into a wall cavity.

See hearandlearn.com.au/hearing-augmentation-solutions



1. Hear and Learn one piece teacher Flexmike and student Sharemike paired to SoundHouse via 1.9 ghz Dect platform to avoid congestion with other forms of education technology. Microphones are stored and charged within the lockable SoundHouse.
2. SoundHouse captures and distributes TV/Screen/Projector audio. No additional speaker infrastructure required. If the length of cable from output of TV/Screen/Projector to SoundHouse is less than 10 metres, use general audio cable with 3.5 mm male plug to connect to SoundHouse with suitable connection to TV/Screen/Projector. If length of cable from output of TV/Screen/Projector to

3. From closest PA speaker, cable from rear of speaker to SoundHouse to terminal in SoundHouse. SoundHouse transforms signal internally - no additional transformer required.
4. 2 core, 1.5mm figure 8 speaker cable to Hear and Learn speaker(s) as per design to suit size, shape and ceiling type of learning space. Contact Hear and Learn for installation advice.
5. Braille Tactile signs provided by Hear and Learn. These are compulsory and mounted to these rules:

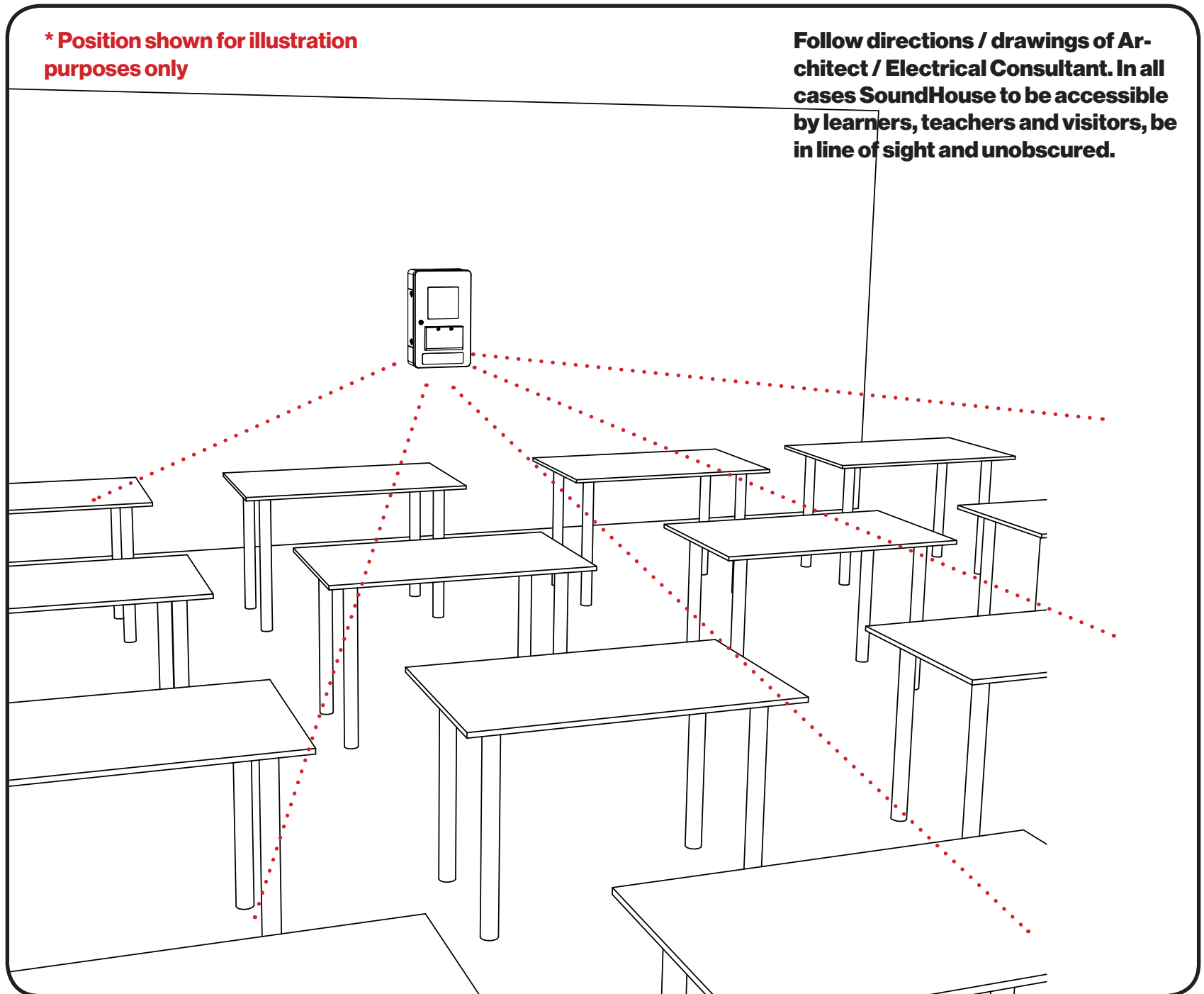
- Sign must be located not less than 1200 mm and not higher than 1600 mm above the floor or ground surface and
- Located on wall on the latch side of the door with the leading edge of the sign located between 50 mm and 300 mm from the architrave or if this is not possible, the sign may be placed on the door itself.
- 6. HearAssist includes local installation assistance, commissioning and staff training.
- 7. Connection of power to GPO's prebuilt into SoundHouse. No wall GPO(s) required.

Installation Instructions

Position of
SoundHouse.

*** Position shown for illustration
purposes only**

**Follow directions / drawings of Ar-
chitect / Electrical Consultant. In all
cases SoundHouse to be accessible
by learners, teachers and visitors, be
in line of sight and unobscured.**

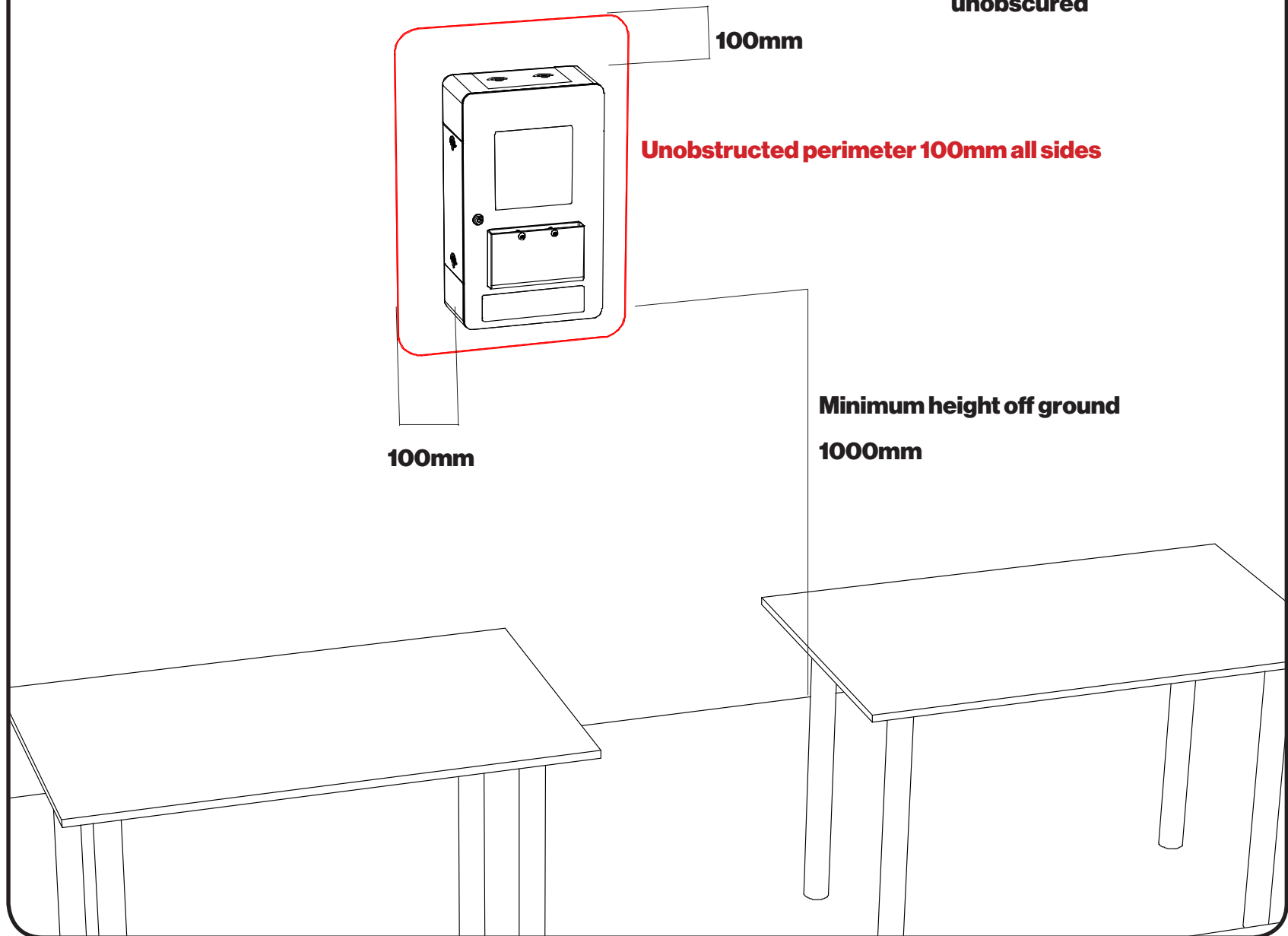


Installation Instructions

Height of install and Egress / Access

*** Position shown for illustration purposes only**

Soundhouse to be accessible to all learners, be in line of sight, and unobscured

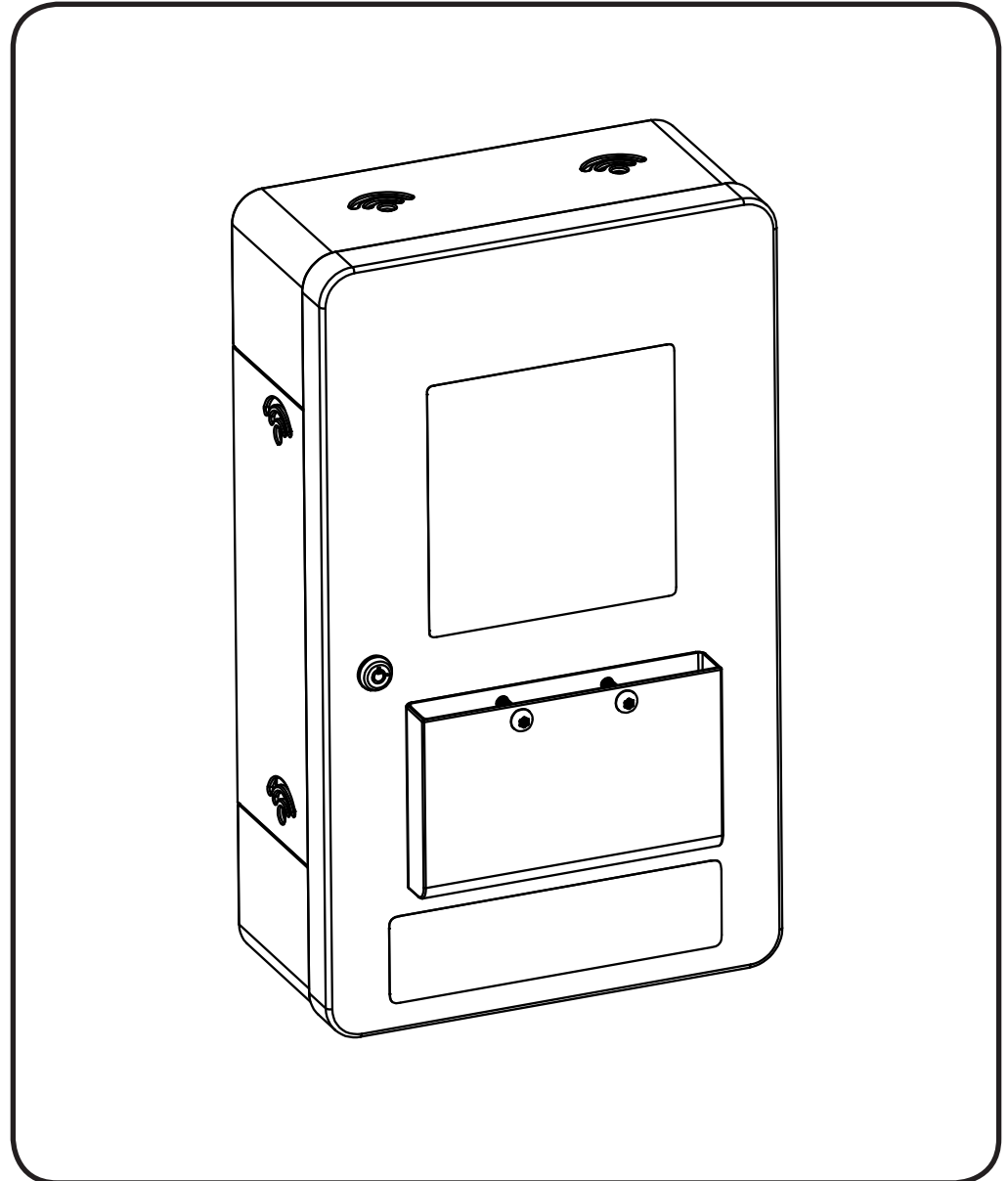
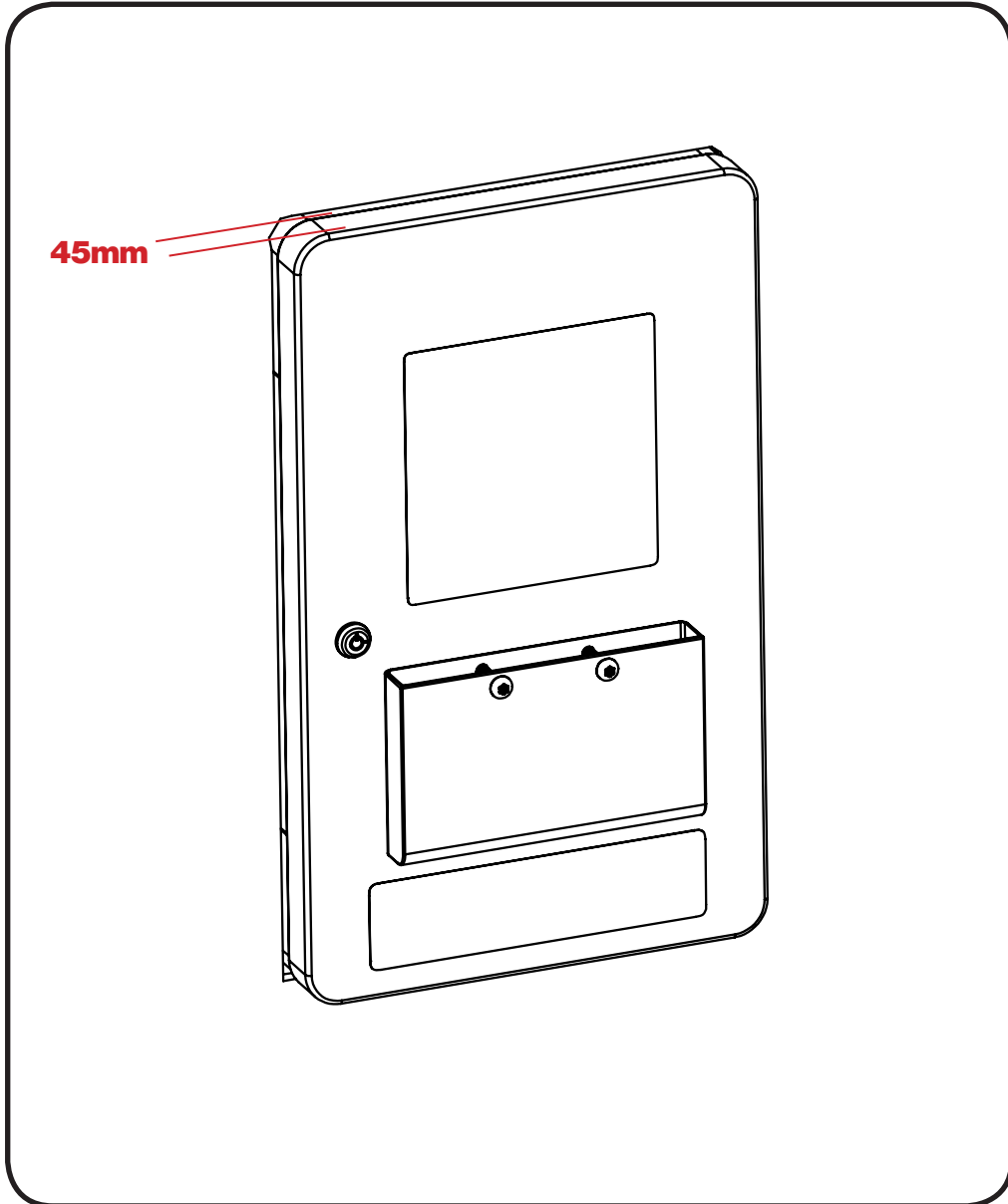


Installation Instructions

SoundHouse can be either recessed or wall mounted

Option 1
Recessed into wall
(Maximum recess into wall cavity 80mm to allow door to open)

Option 2
Direct wall mounted



Installation Instructions

Option 1 Recessed into wall

Cut hole in wall as per 1:1 scale template link below



Download installation template at:
www.hearandlearn.com.au/install

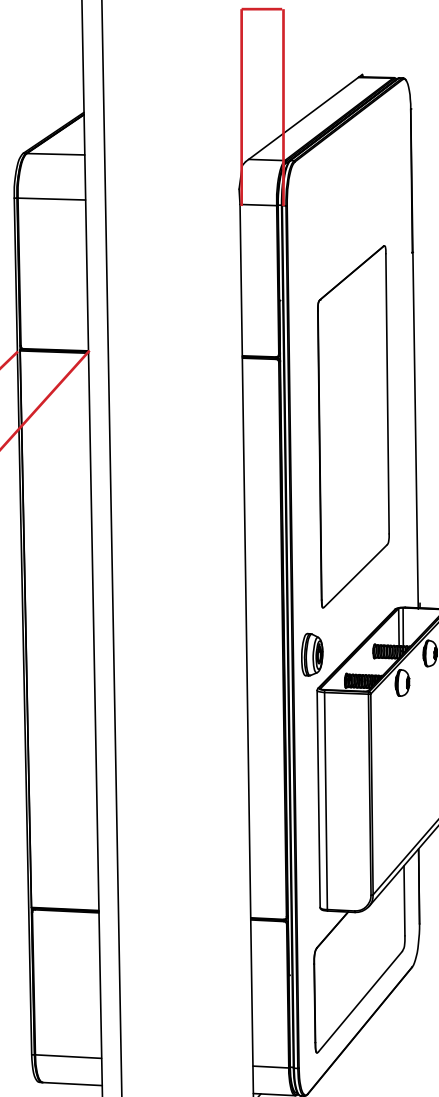
DISCLAIMER*
Installer will be responsible for ensuring cavity is cut out neatly so hidden after cabinet is installed.

SoundHouse to be recessed maximum 80mm to allow safe door operation

80 mm

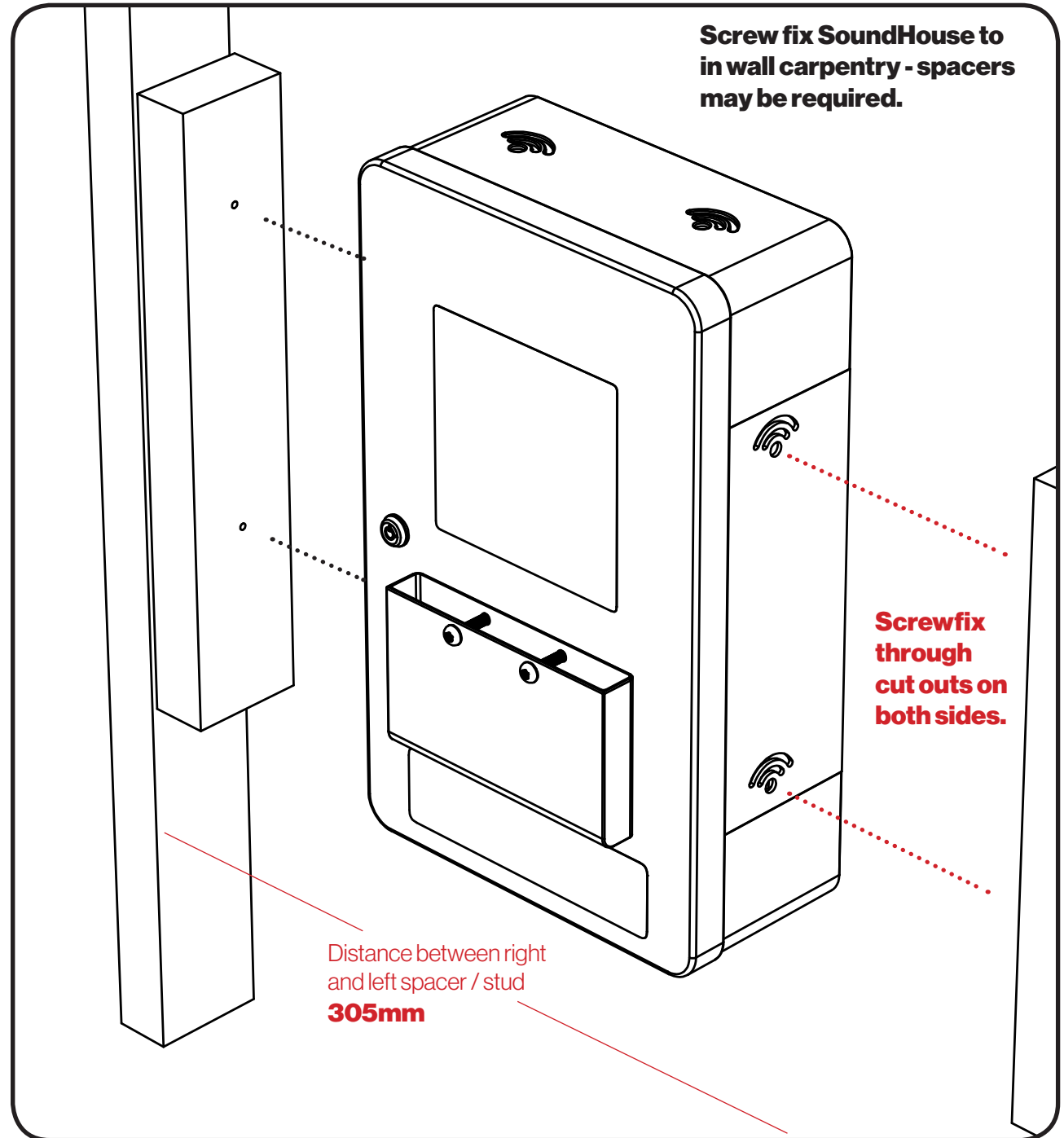
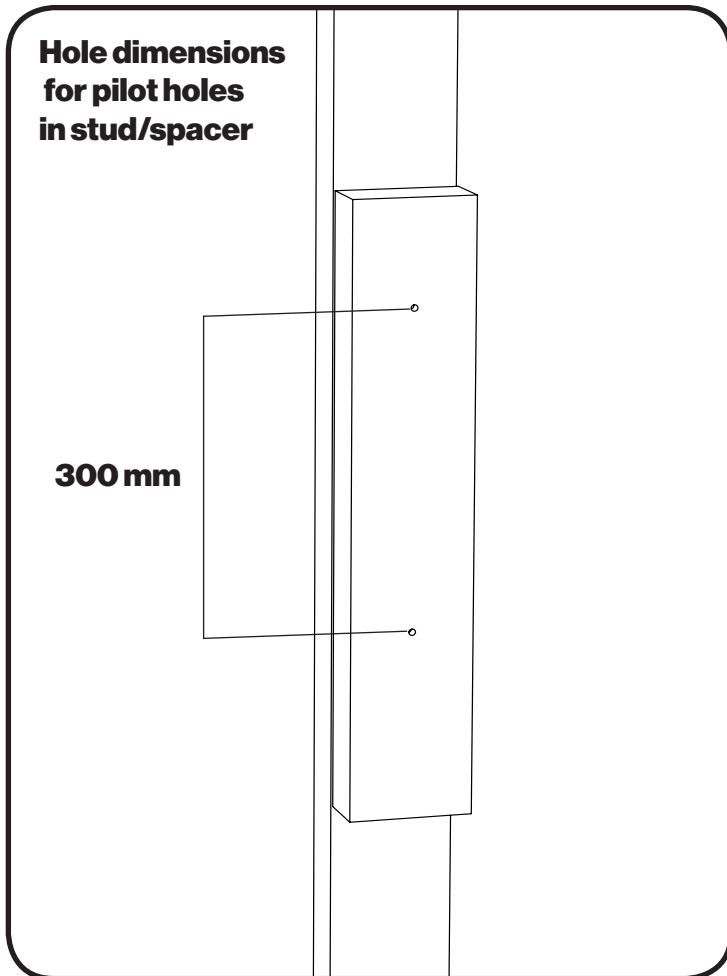
45 mm

Cabinet must protrude by 45mm To allow door to open.



Installation
Instructions

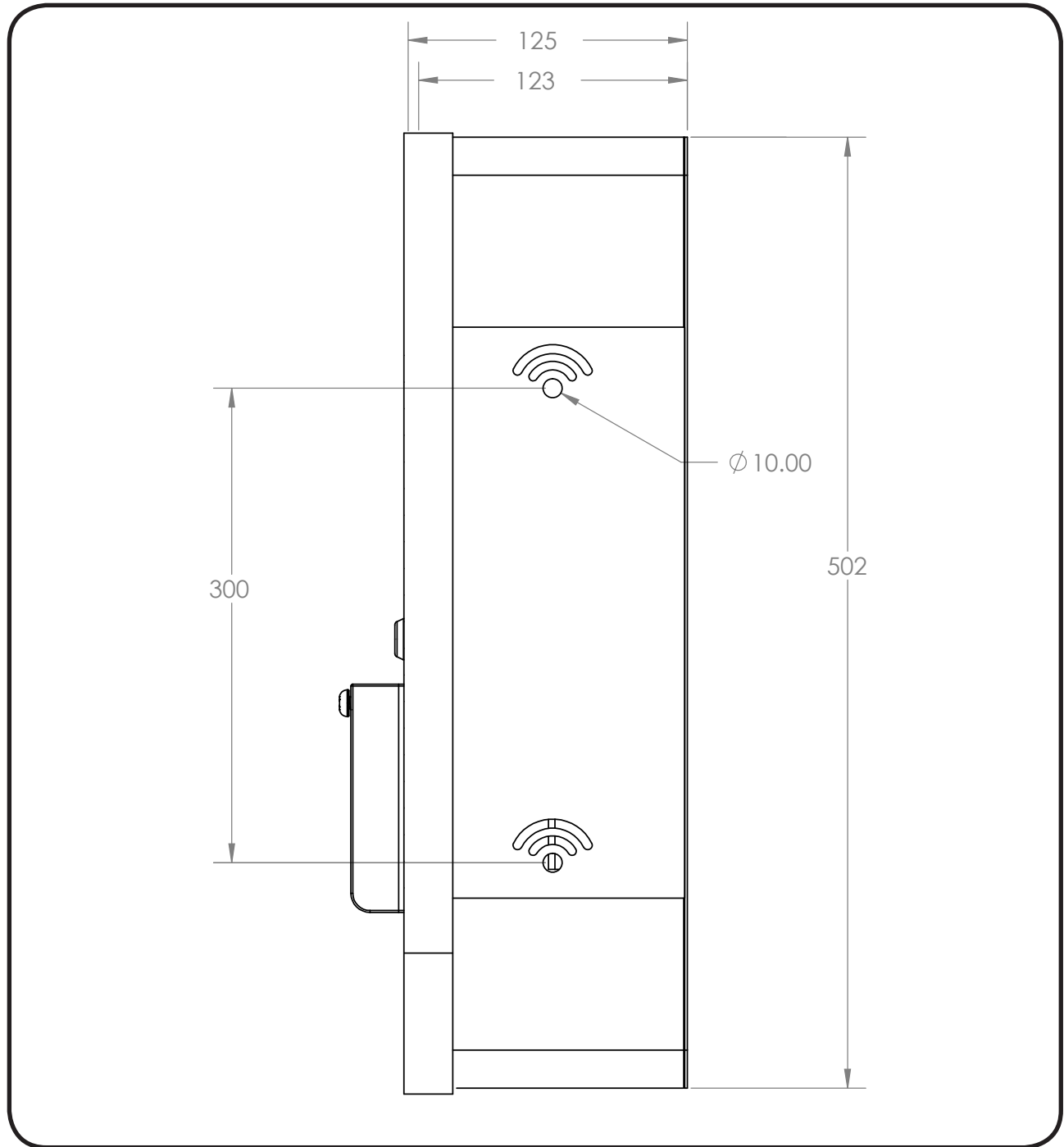
Option 1
Recessed into wall



Installation
Instructions

Option 1
Recessed into wall

**Detailed stud
mounting hole
location**



Installation Instructions

Option 1

Recessed into wall Cable Routing

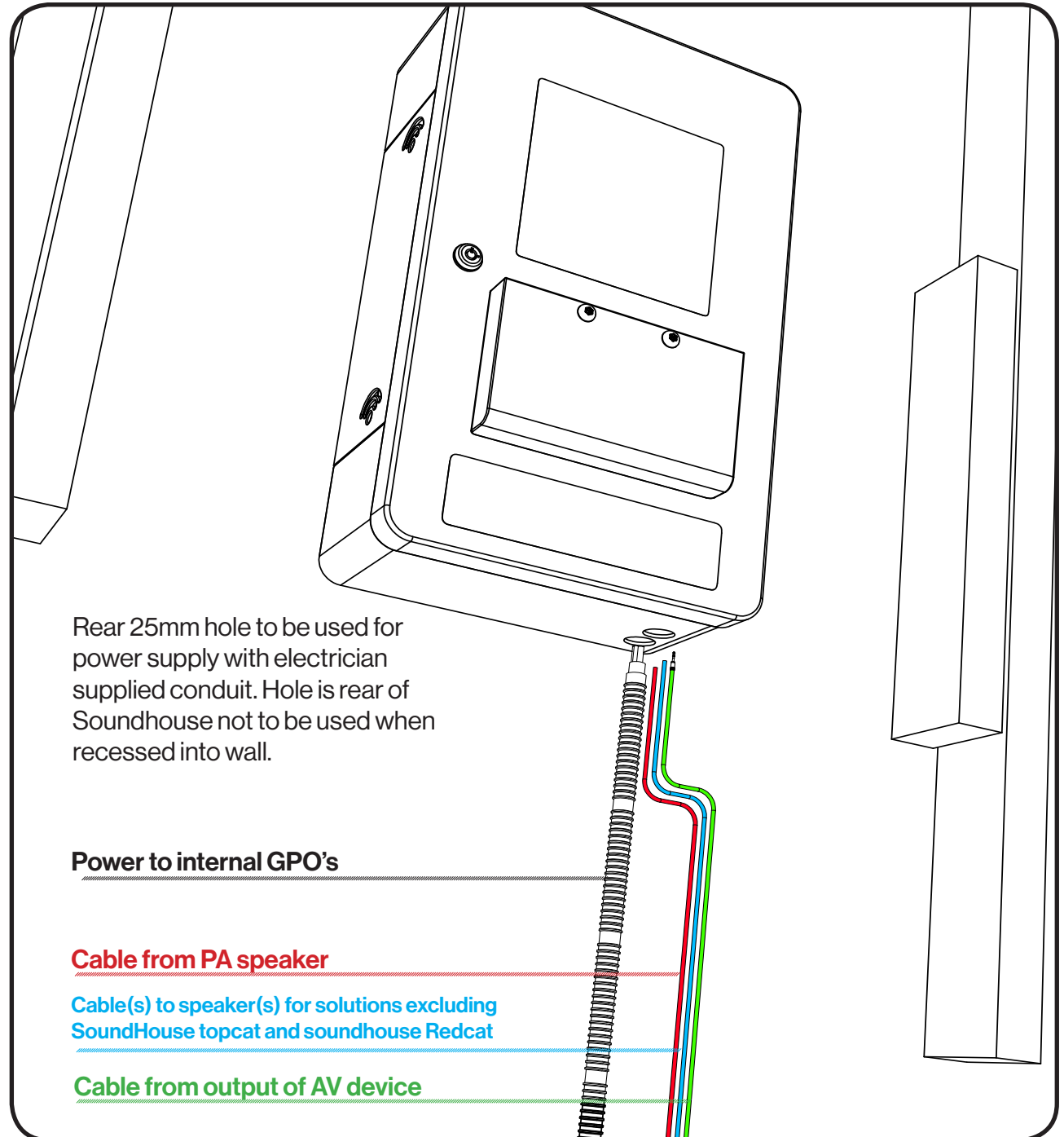
Precabing is to be completed prior to installation of SoundHouse in accordance with electrical diagrams for the project.

All SoundHouses require connection of power to inbuilt GPO's in SoundHouse. Connection of power to SoundHouses to be performed by electrician

Other cables will require connection as per electrical diagrams. These connections may include cable from PA Speaker, cable from AV systems, and cables to speakers in the learning space.

SoundHouse has holes in its rear to feed cables to its internals for wall mounting, and holes in its base for recessed installation.

* note point 2 on page one regarding cabling length from AV source to SoundHouse.



Installation Instructions

Option 2

Direct wall mounted Cable Routing

Precabing is to be completed prior to installation of SoundHouse in accordance with electrical diagrams for the project.

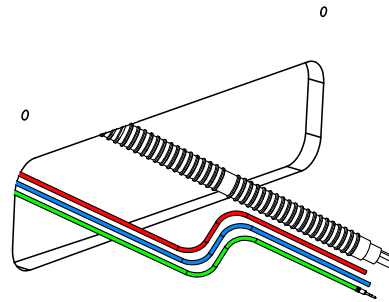
All SoundHouses require connection of power to inbuilt GPO's in SoundHouse. Connection of power to SoundHouses to be performed by electrician

Other cables will require connection as per electrical diagrams. These connections may include cable from PA Speaker, cable from AV systems, and cables to speakers in the learning space.

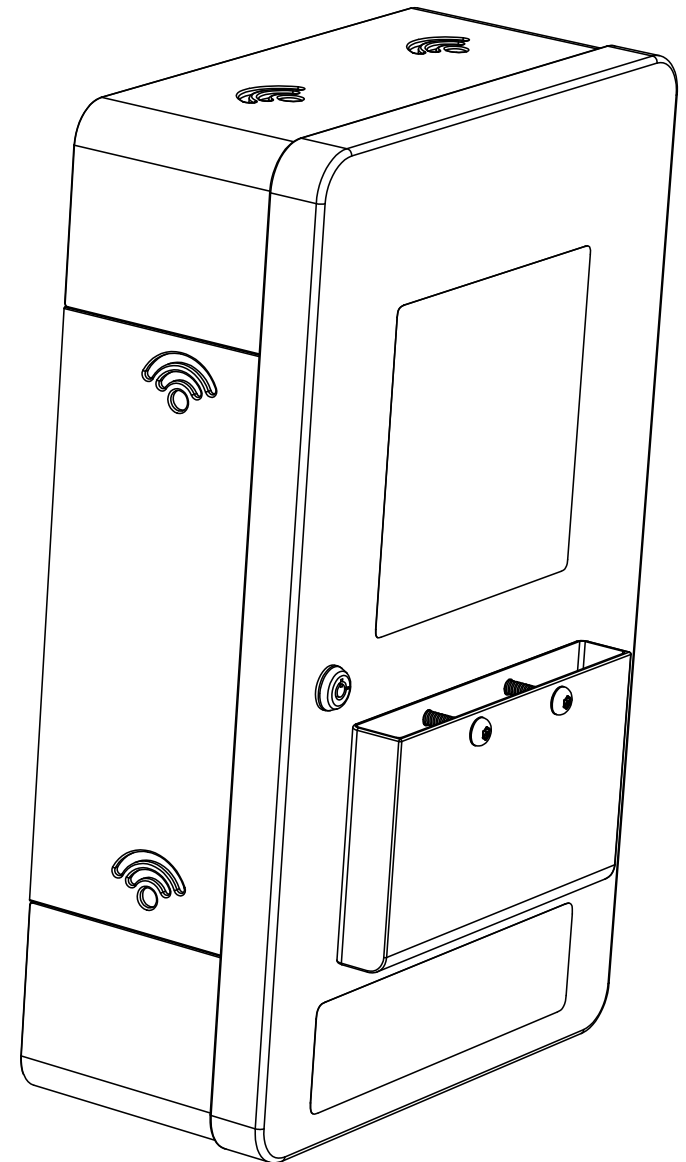
SoundHouse has holes in its rear to feed cables to its internals for wall mounting, and holes in its base for recessed installation.

*** note point 2 on page one regarding cabling length from AV source to SoundHouse.**

Rear 25mm hole to be used for power supply with electrician supplied conduit. Hole is rear of Soundhouse not to be used when recessed into wall.



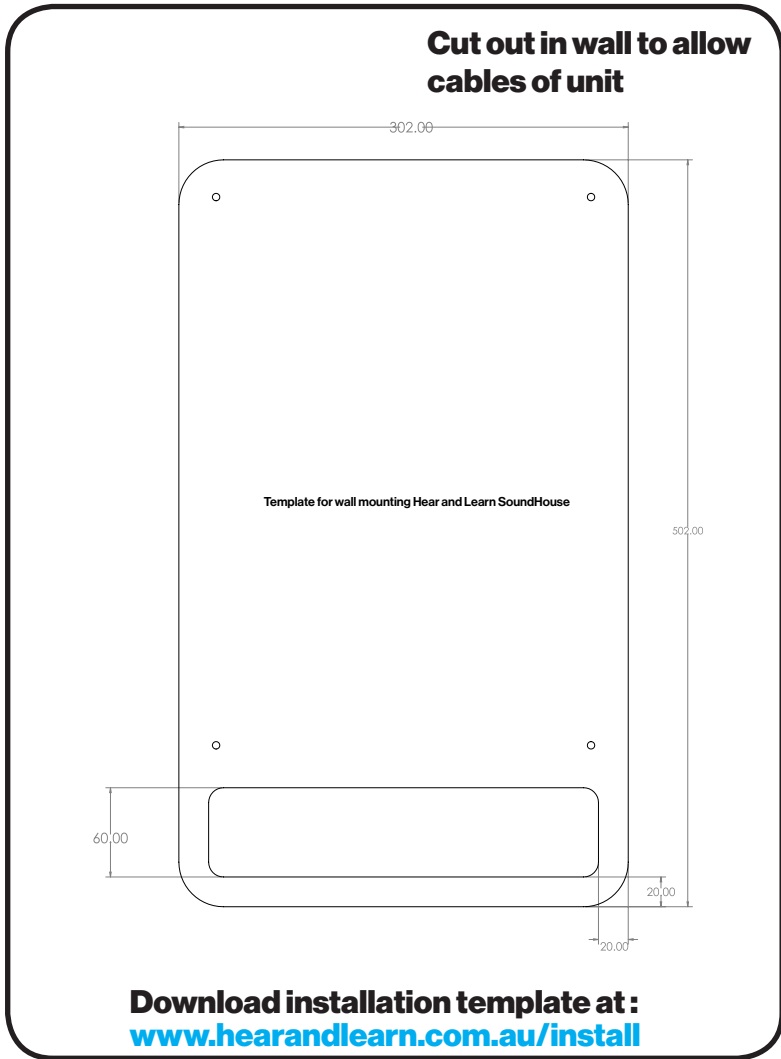
Power to internal GPO's
 Cable from PA speaker
 Cable(s) to speaker(s) for solutions excluding SoundHouse topcat and soundhouse Redcat
 Cable from output of AV device



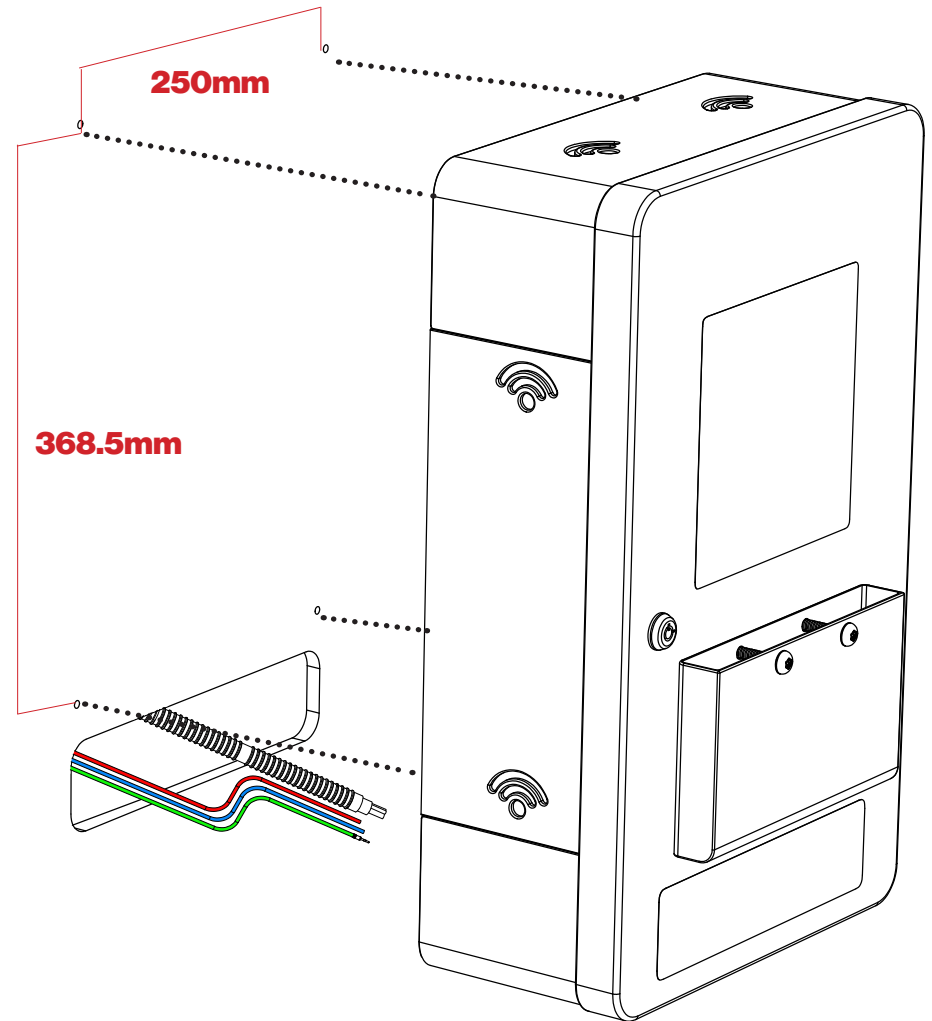
Installation
Instructions

Option 2

Direct wall mounted



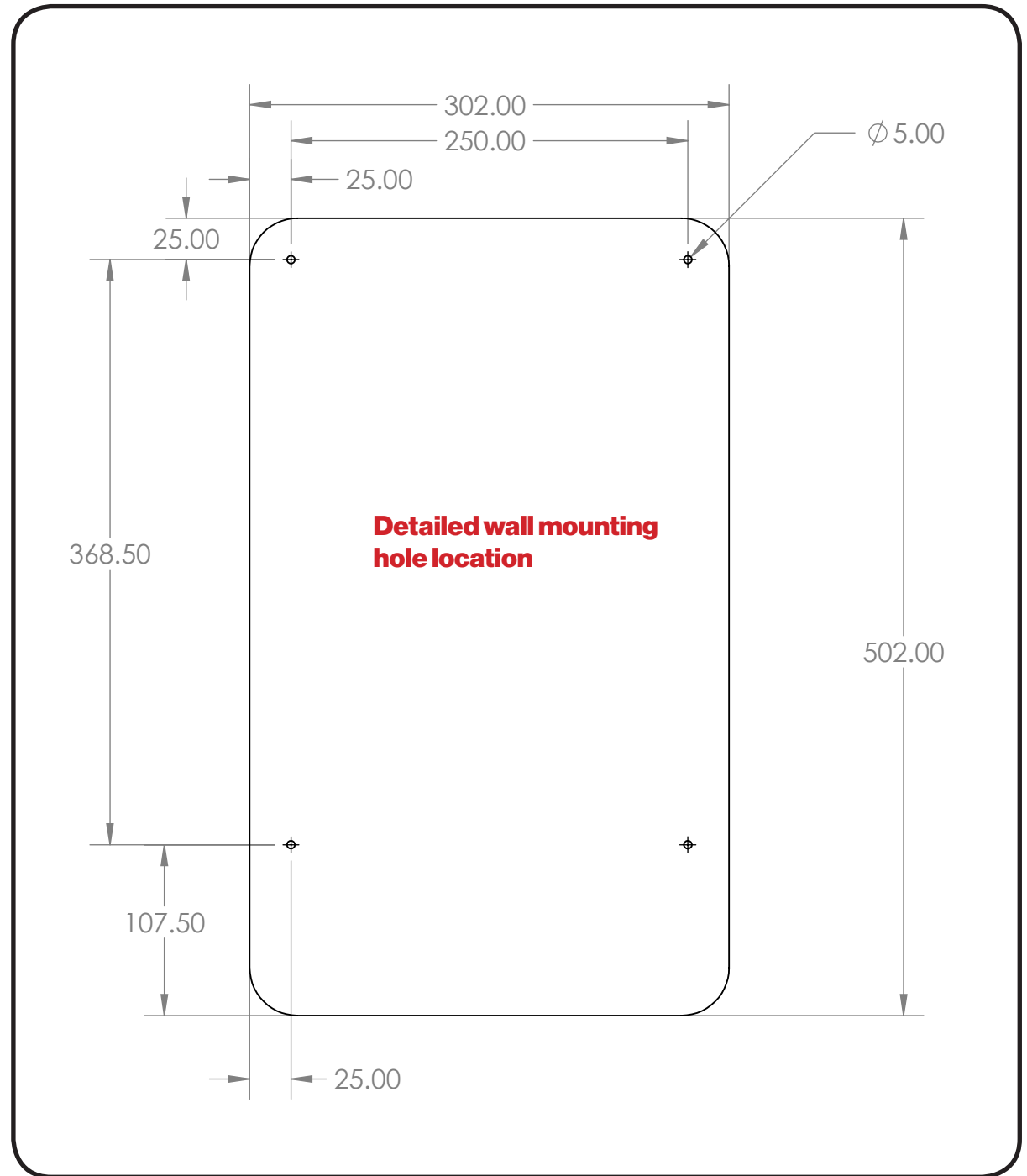
**Installer responsible
for ensuring cabinet
is mounted to secure
stud or similar**



Installation
Instructions

Option 2

Direct wall mounted



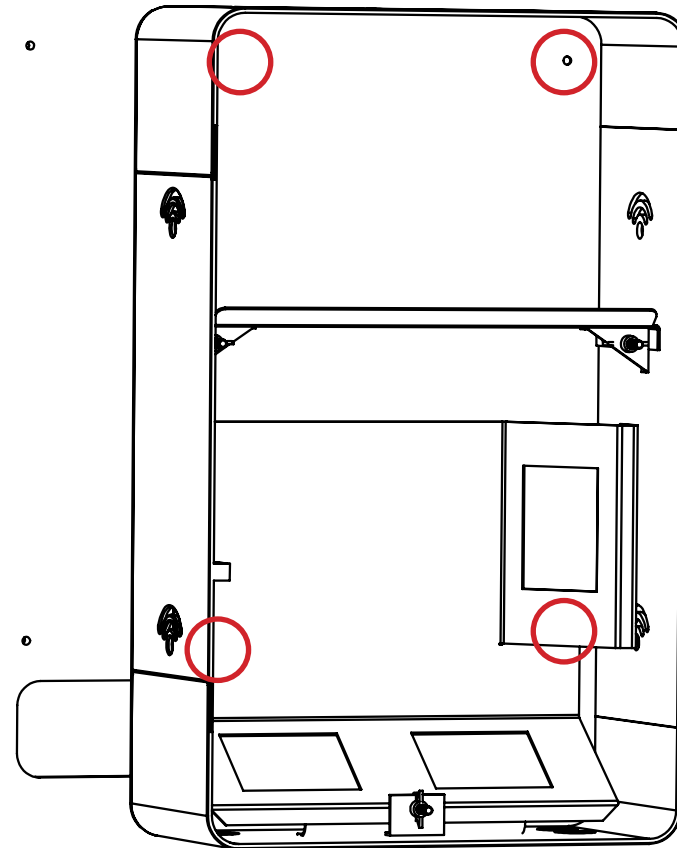
Installation
Instructions

Option 2

Direct wall mounted

***Image indicative only.
Internal components
not shown. All care
needs to be taken to
not damage internals
during mounting.**

**Screw fix to wall
from inside at all four
corners.**



Installation Instructions



Base of sign must be located not less than 1200mm and not higher than 1600mm above the floor or ground surface

AND

On the wall on the latch side of the door with the leading edge of the sign located between 50mm and 300mm from the architrave; and where this is not possible, the sign may be placed on the door itself.

*** Actual language on sign may vary**

