

Installation Instructions



SoundHouse Recess in Cavity

 **hear and learn**
all audio to all ears. always.



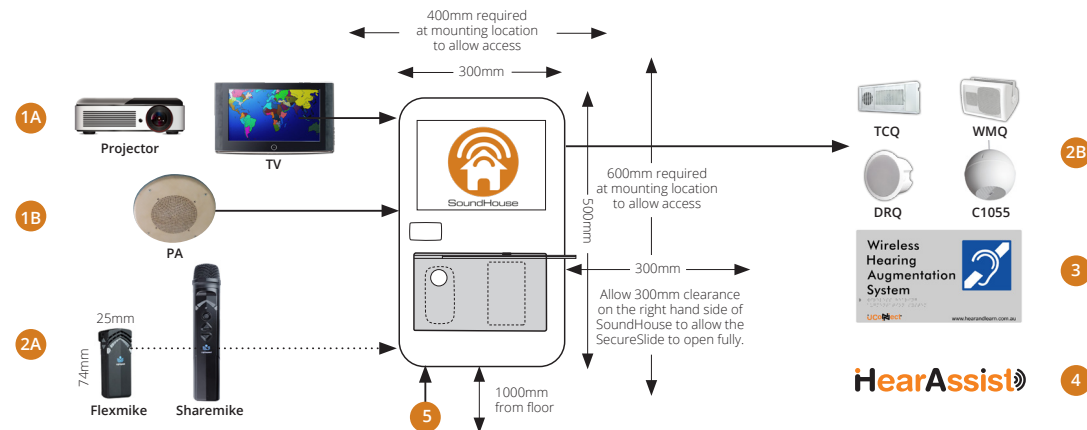
UConnect SoundHouse by hearandlearn.com.au is a bespoke steel cabinet complete with internal electronics, power supplies, labelling and signage for capturing and delivering instructional audio in learning spaces.

There are two versions of the UConnect SoundHouse – our WALL MOUNTED version and our RECESSED version. This document is relevant to installing our RECESSED version which have a right angled rear body for easy install complete with flange. It should not wall mounted.

Your Recessed SoundHouse is equipped with HEARING AUGMENTATION facilities. This means forms of electronic Instructional Audio, PA, Screens – will be connected to the SoundHouse making it available to people in these spaces who have receivers built in their hearing aids.

Additionally, your Recessed SoundHouse MAY be equipped with SOUNDFIELD facilities. This means electronic Instructional Audio will be delivered by Hear and Learn speakers in the space, and voices will also be captured by Hear and Learn teacher Flexmikes and student Sharemikes.

SOUNDHOUSE IS FOR EVERYDAY USE BY TEACHERS AND LEARNERS, BE UNOBSCURED, HAVE EASY ACCESS AND WITH LINE OF SIGHT OF AREAS OF THE ROOM.



1A. For the purpose of Hearing Augmentation, SoundHouse captures and distributes TV/Screen/Projector audio. No additional speaker infrastructure required. If the length of cable from output of TV/Screen/Projector to SoundHouse is less than 10m, use general audio cable with 3.5mm male plug to connect to SoundHouse with suitable connection to TV/Screen/Projector. If length of cable from output of TV/Screen/Projector to SoundHouse is more than 10 metres,

use CAT 5E/6 cable with 3.5mm Stereo Audio Cat5e/6 Extenders at each end for connection to SoundHouse (via 3.5mm male plug) and to TV/Screen/Projector (to suit output of device).

1B. For the purpose of Hearing Augmentation, SoundHouse captures front office messaging/PA. From closest PA speaker, cable from rear of speaker to SoundHouse to terminal in SoundHouse. SoundHouse transforms signal internally – no additional transformer required.

2A. Your SoundHouse may have Soundfield equipment installed. Hear and Learn one piece teacher Flexmike and student Sharemike paired to SoundHouse via 1.9ghz Dect platform to avoid congestion with other forms of education technology. Microphones are stored and charged within the lockable SoundHouse.

2B. Your SoundHouse may have Soundfield equipment installed and will involve speakers being installed. PLEASE SEE THE SPEAKER CABLING INSTRUCTIONS at hearandlearn.com.au/install. This will

involve 2 core, 1.5mm figure 8 speaker cable to Hear and Learn speaker(s) as per design to suit size, shape and ceiling type of learning space. Contact Hear and Learn for installation advice. **3.** Braille Tactile signs provided by Hear and Learn. They must be mounted to these compulsory rules: The sign must be located less than 1200 mm and not higher than 1600 mm above the floor or ground surface. Located on the wall on the latch side of the door with the leading edge of the sign located between 50 mm and

300mm from the architrave. If this is not possible, the sign may be placed on the door itself. **See Page 13.**

- 4.** HearAssist includes local installation assistance, commissioning and staff training.
- 5.** Connection of power to GPO's prebuilt into SoundHouse. No wall GPO(s) required.

See hearandlearn.com.au/hearing-augmentation-solutions

hearandlearn.com.au

UConnect SoundHouse, Mini, 975 POINT-TO-PAIR-3, Redcat POINT-TO-PAIR-3 and Topcat POINT-TO-PAIR-3 are part of the Hear and Learn technology family

Offices Australia wide (03) 9370 9355

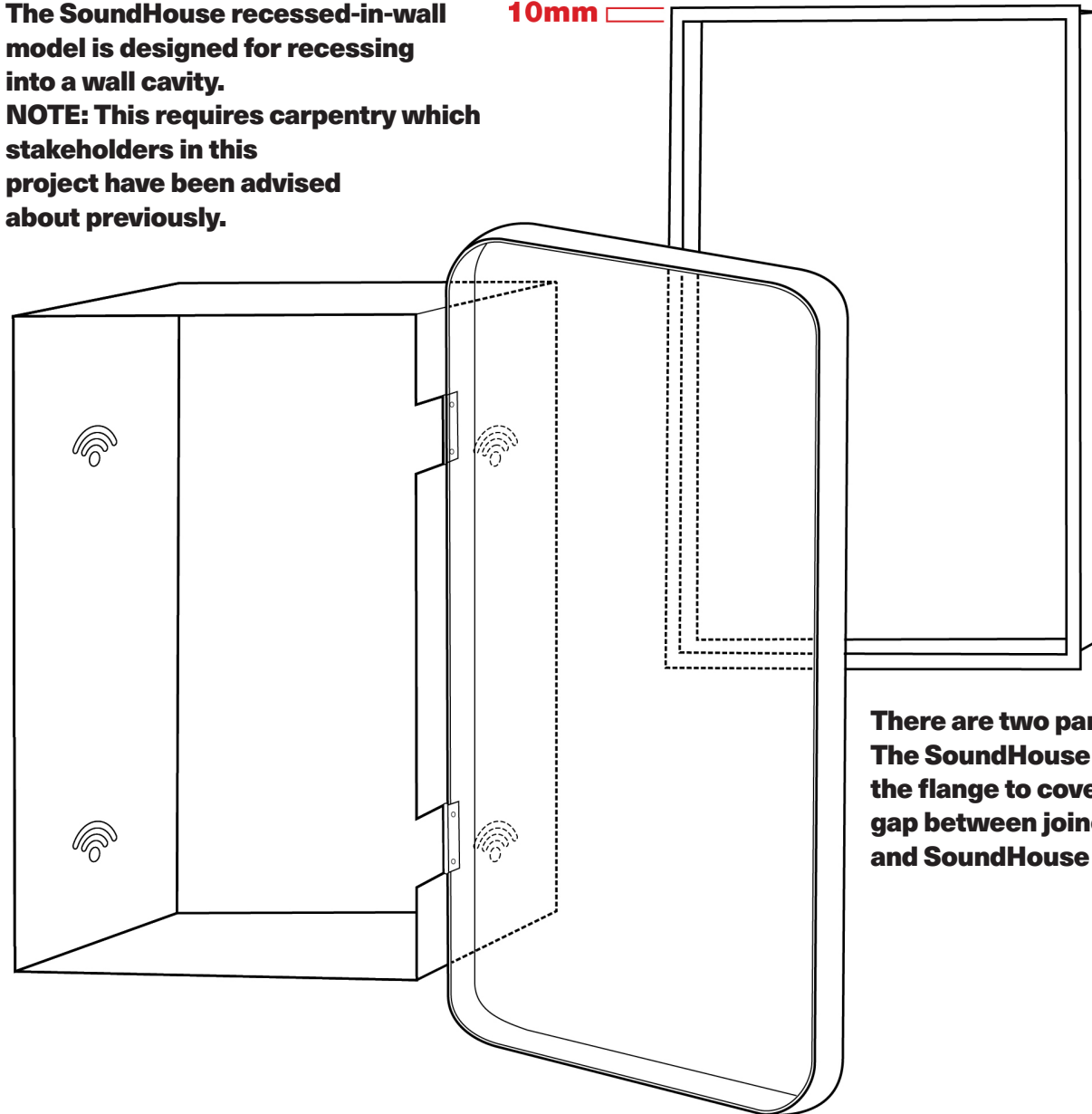
Installation Instructions



SoundHouse Recess in Cavity

The SoundHouse recessed-in-wall model is designed for recessing into a wall cavity.
NOTE: This requires carpentry which stakeholders in this project have been advised about previously.

10mm



**There are two parts:
The SoundHouse and
the flange to cover the
gap between joinery/wall
and SoundHouse**

Installation Instructions

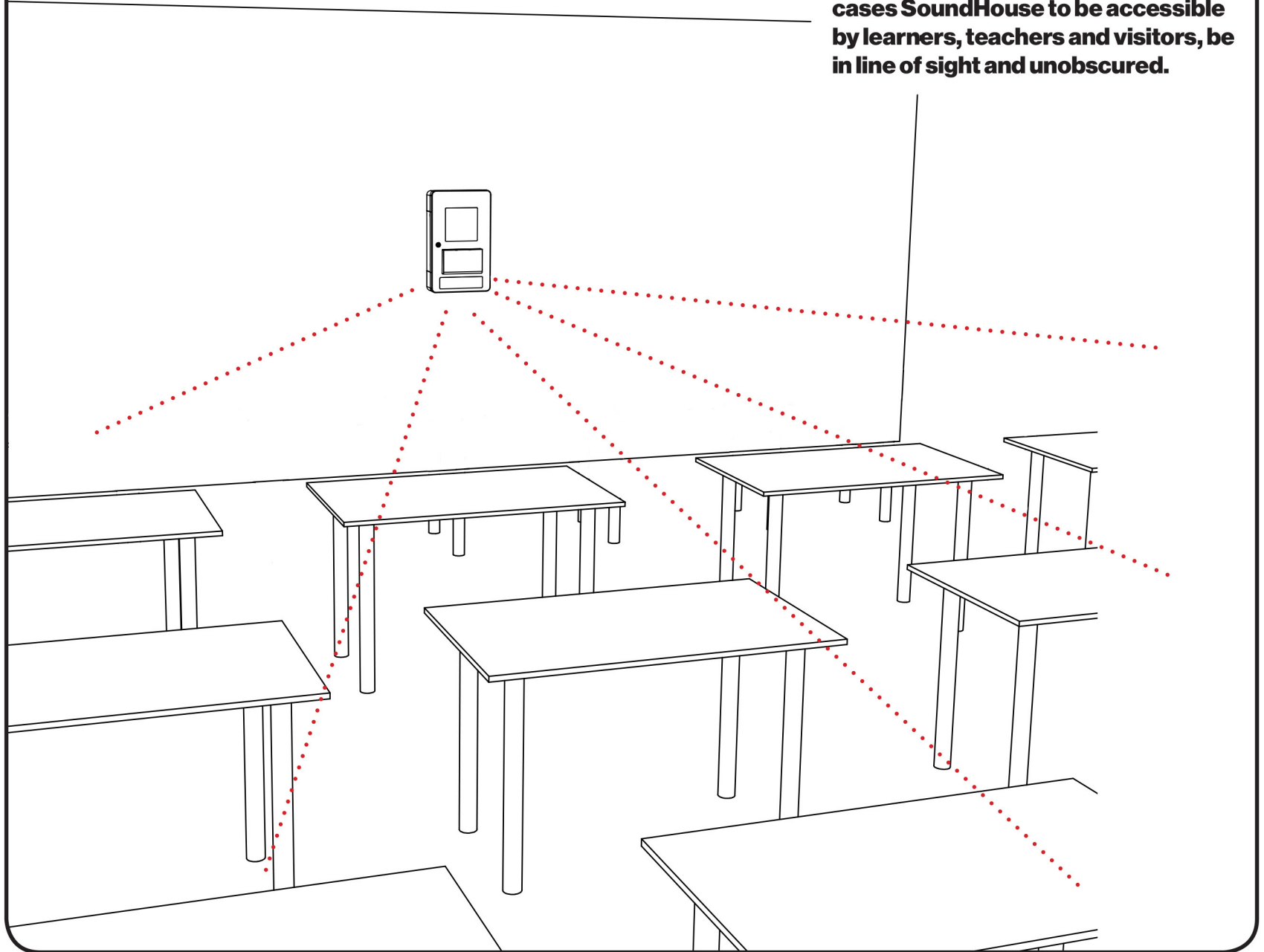


SoundHouse

Recess in Cavity

*** Position shown for illustration purposes only**

Follow directions / drawings of Architect / Electrical Consultant. In all cases SoundHouse to be accessible by learners, teachers and visitors, be in line of sight and unobscured.



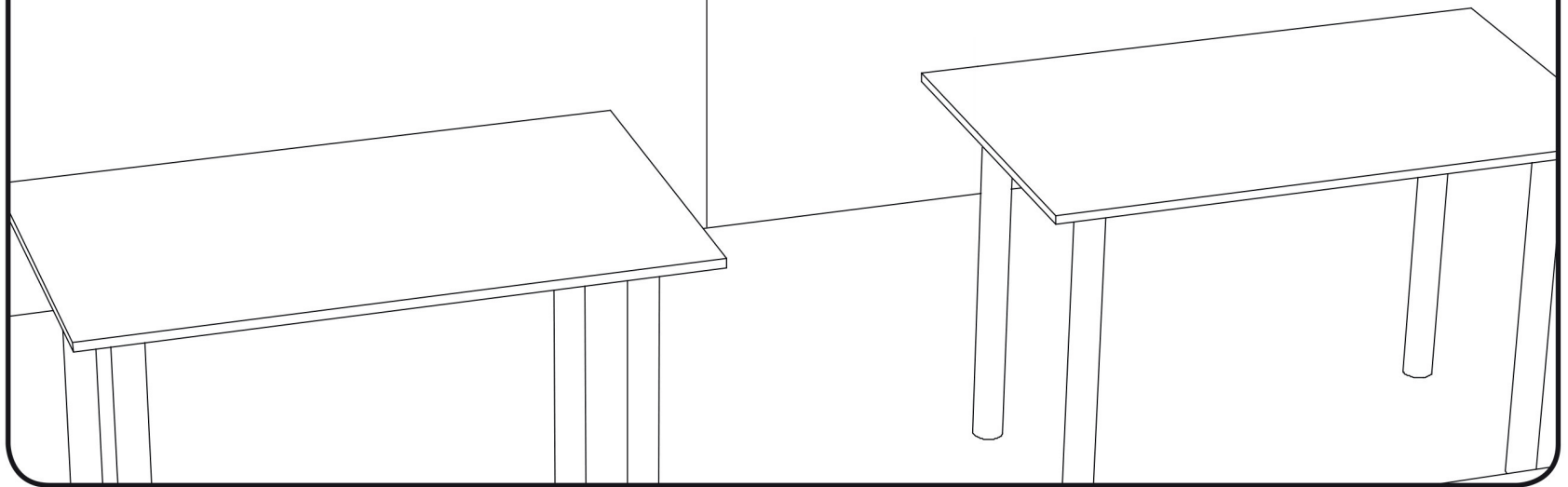
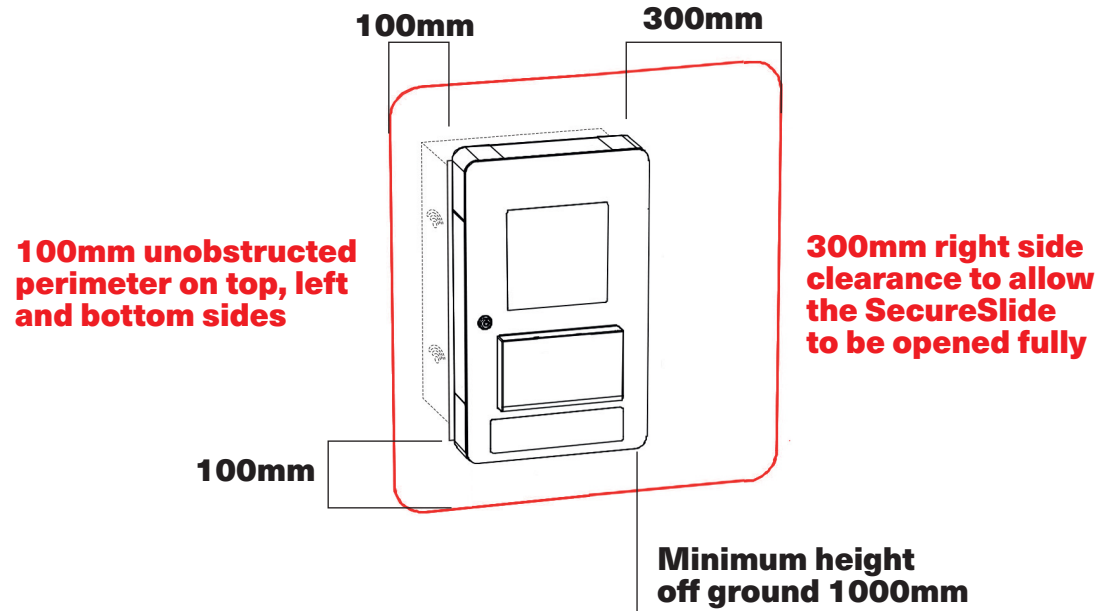
Installation Instructions



SoundHouse
Recess in Cavity

*** Position shown for illustration purposes only**

Soundhouse to be accessible to all learners, be in line of sight, and unobscured

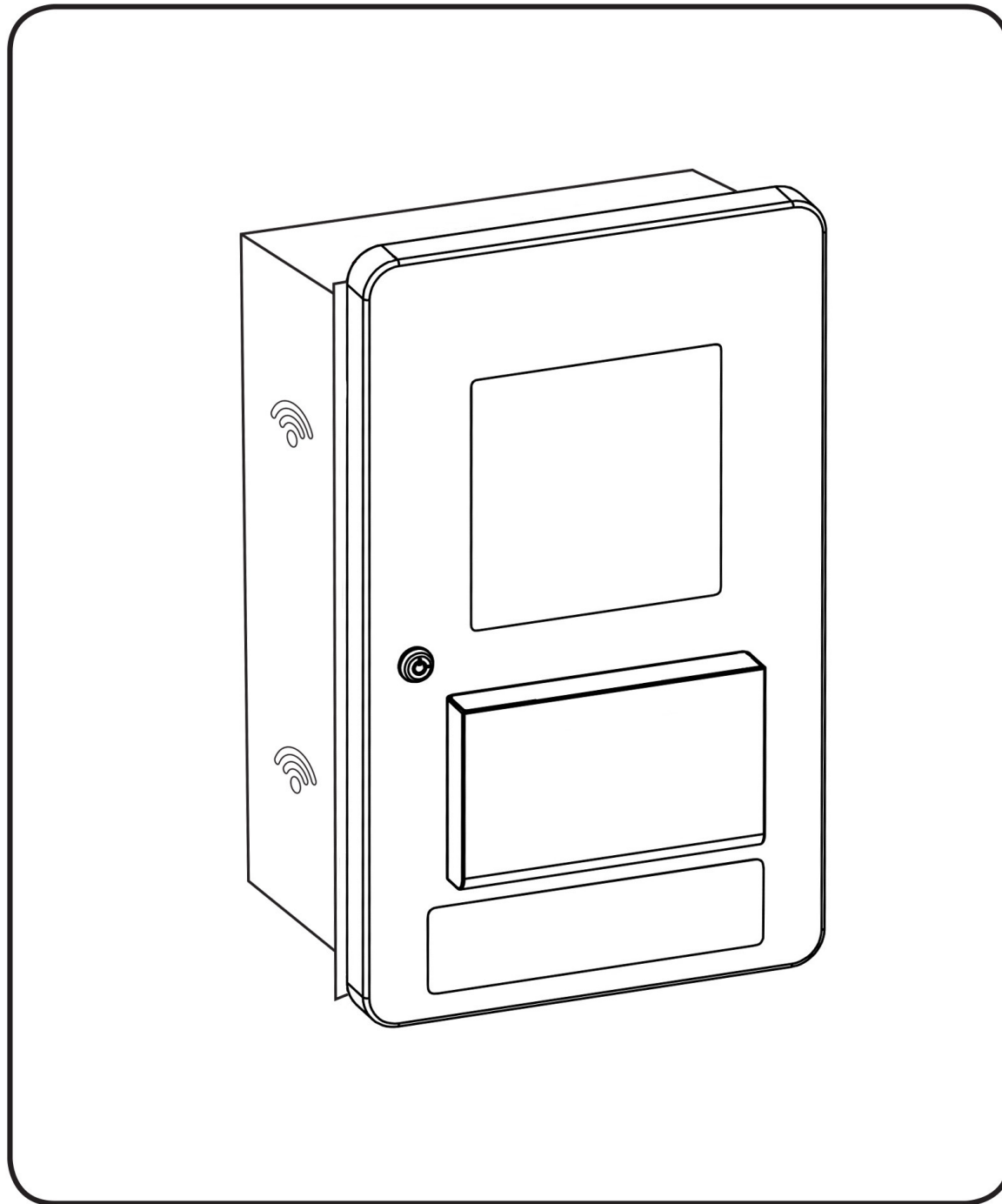


Installation Instructions



SoundHouse

Recess in Cavity



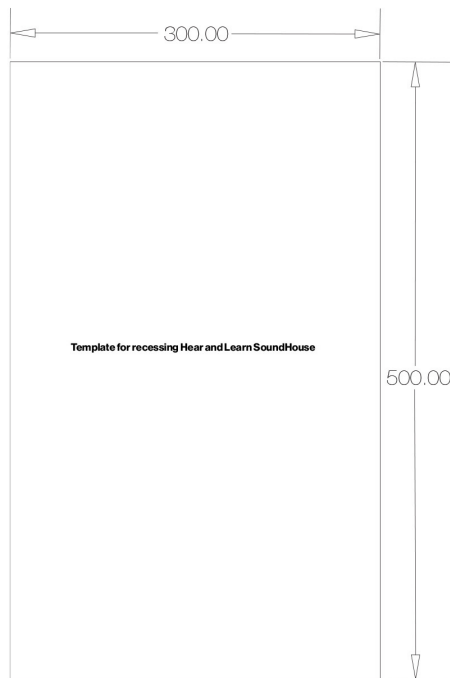
Installation Instructions



SoundHouse

Recess in Cavity

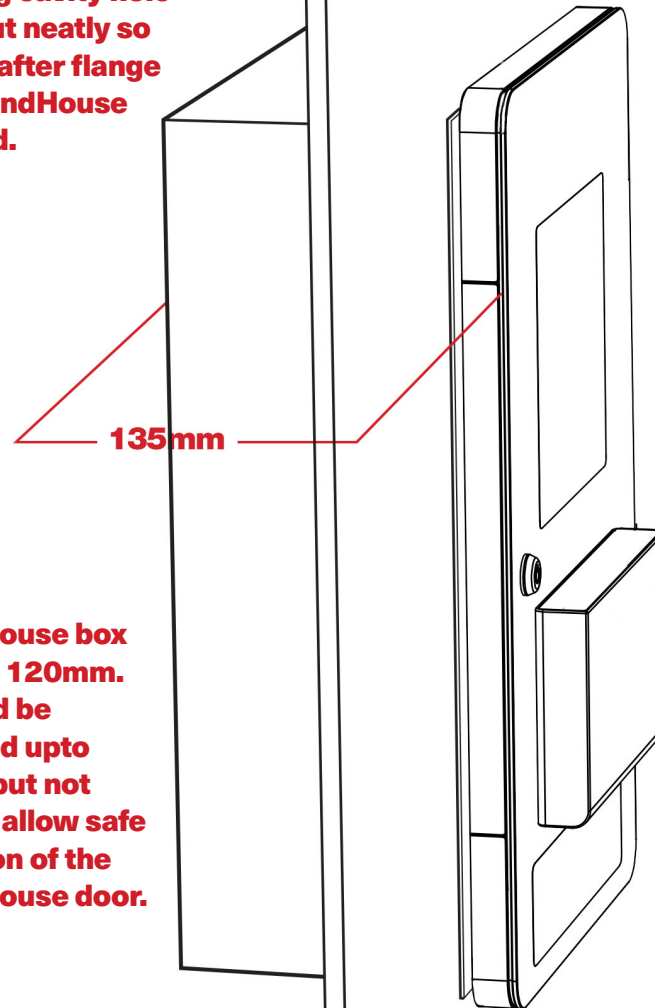
Cut hole in wall as per 1:1 scale template link below



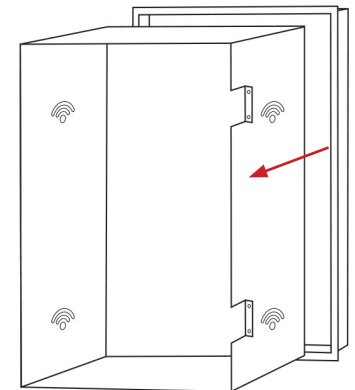
Download installation template at:
hearandlearn.com.au/install

DISCLAIMER*
Installer will be responsible for ensuring cavity hole is cut out neatly so unseen after flange and SoundHouse installed.

SoundHouse box depth is 120mm. It should be recessed up to 90 mm but not more to allow safe operation of the SoundHouse door.



Door must protrude by 45mm to allow door to open freely on box hinges



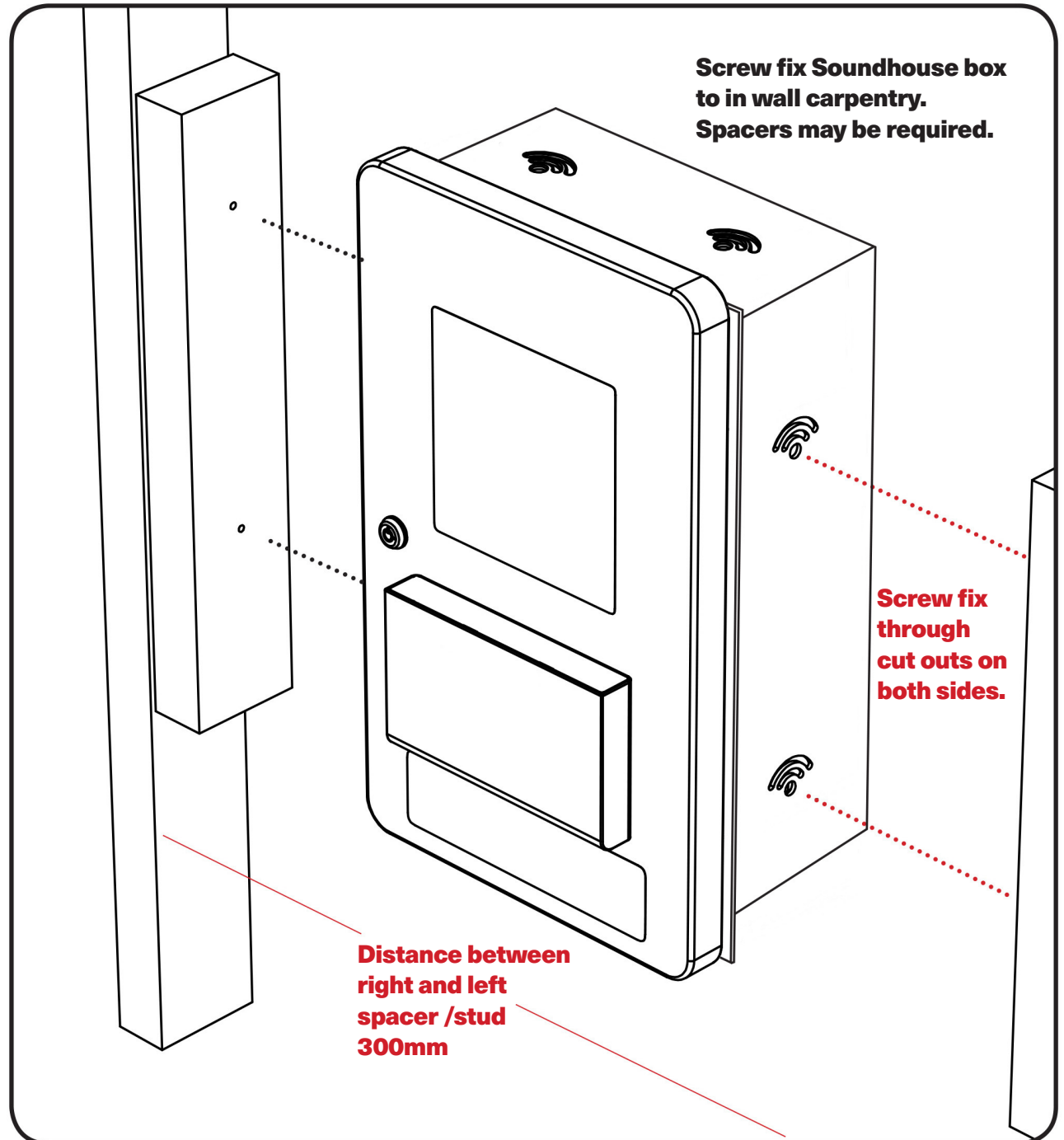
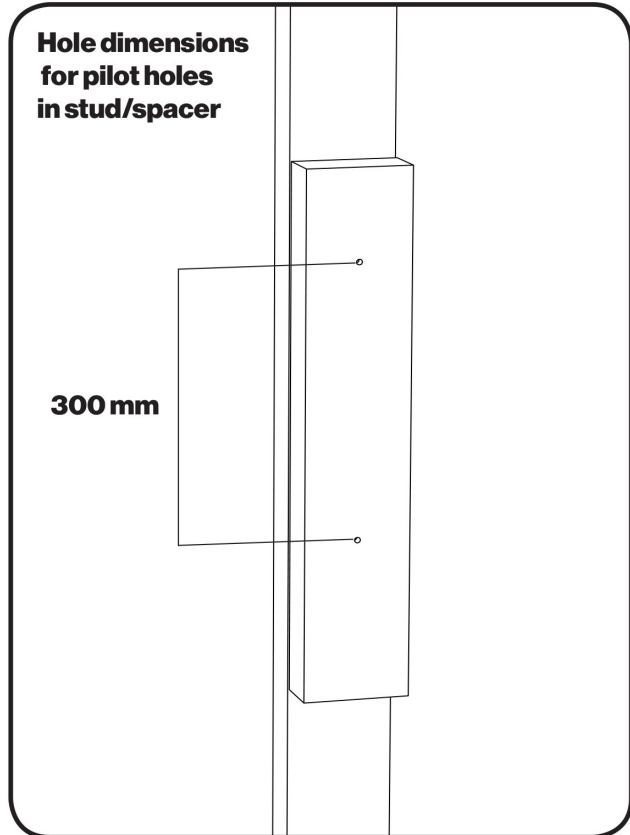
Slide the cover flange onto SoundHouse Box before fixing box to wall carpentry.

Installation Instructions



SoundHouse

Recess in Cavity

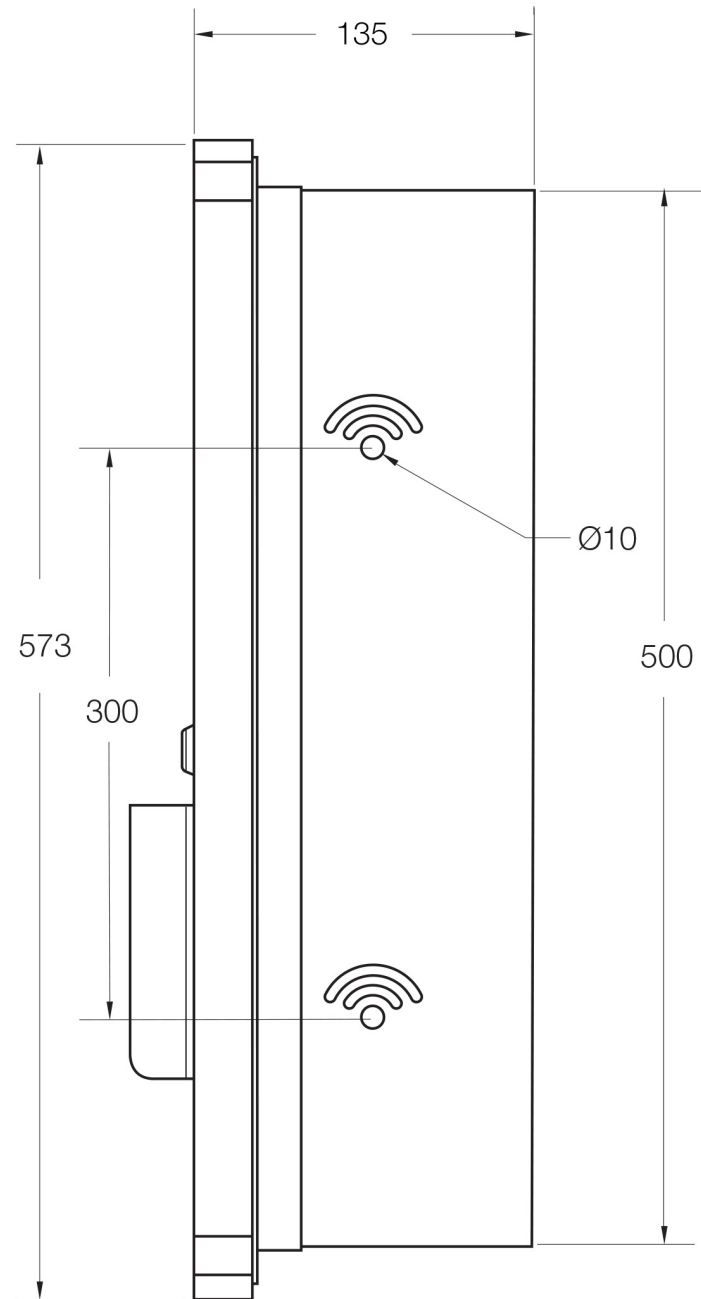


Installation Instructions



SoundHouse
Recess in Cavity

Detailed stud mounting hole location



Installation Instructions



SoundHouse

Recess in Cavity

Precabing is to be completed prior to installation of soundHouse in accordance with electrical diagrams for the project.

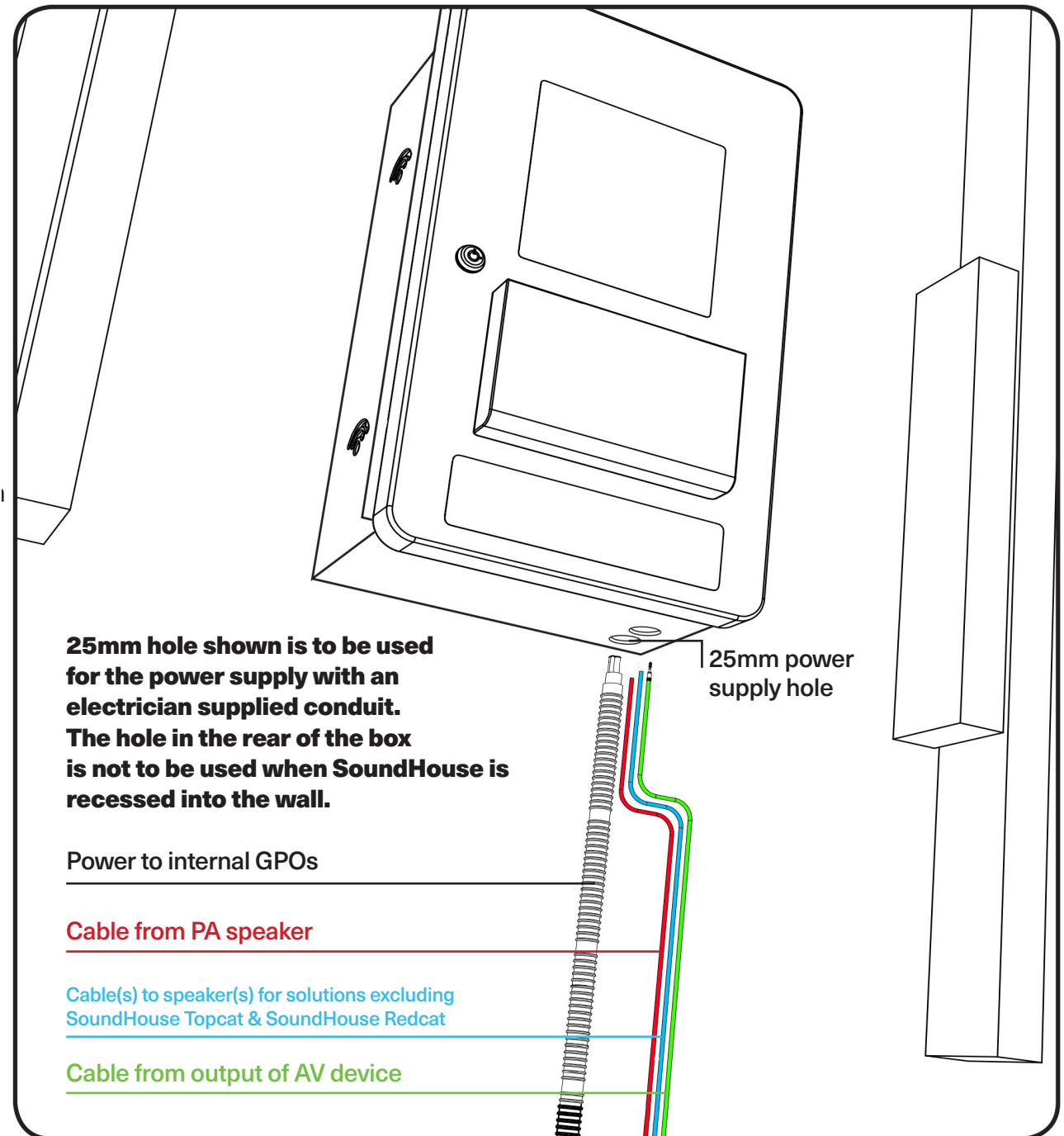
All SoundHouses require connection of power to inbuilt GPOs in SoundHouse. Connection of power to SoundHouses to be done by a registered electrician.

Other cables will require connection as per electrical diagrams. These connections may include cable from PA speaker, cable from AV systems and cables to speakers in the learning space. *

SoundHouse has holes in its base for recessed installation.

*Note. Go to Point 2 on Page One for cabling length from AV source to SoundHouse.

NB. Connect 240v power to first internal preinstalled GPO and parallel cable to two other internal preinstalled GPOs. No extra GPOs required for installation.



Installation Instructions



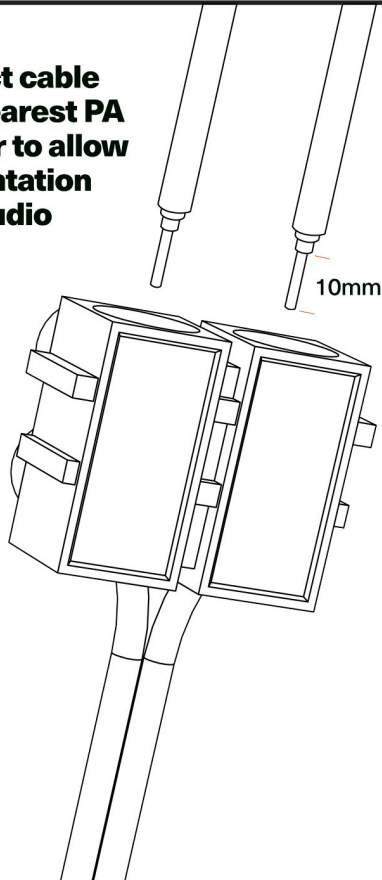
SoundHouse

Recess in Cavity

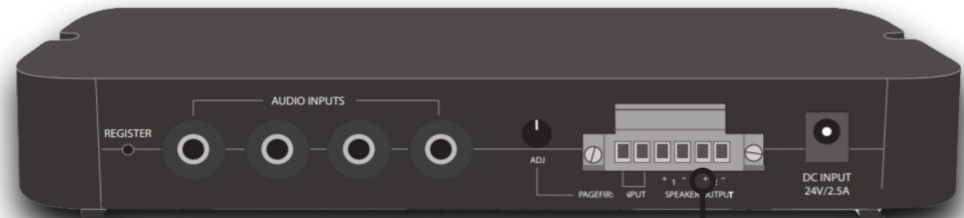
Cable Connection

If your SoundHouse has
975 amp/receiver/microphones

**Connect cable
from nearest PA
speaker to allow
augmentation
of PA audio**



See Speaker cabling instructions at
hearandlearn.com.au/install



Speaker outputs

Installation Instructions

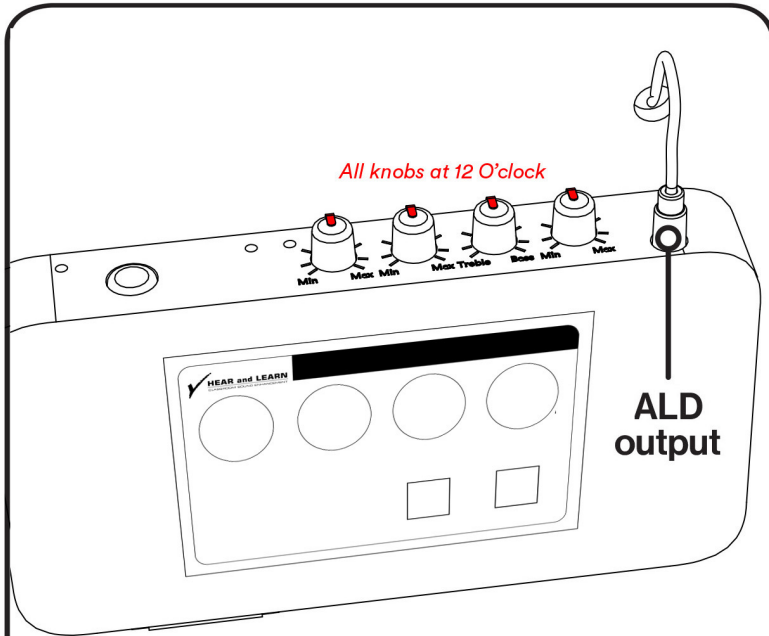


SoundHouse

Recess in Cavity

Cable Connection

If your SoundHouse has 975 amp/receiver/microphones

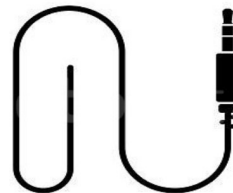


Ensure cable is fully plugged into ALD output and volumes at 12 O'clock

See speaker cabling instructions at hearandlearn.com.au/install



Connect input from TV/whiteboard/projector device(s) here



3.5mm male plug shown. Note point 2 on page 1 - this may be an audio extender depending on cable length from audio source

Installation Instructions

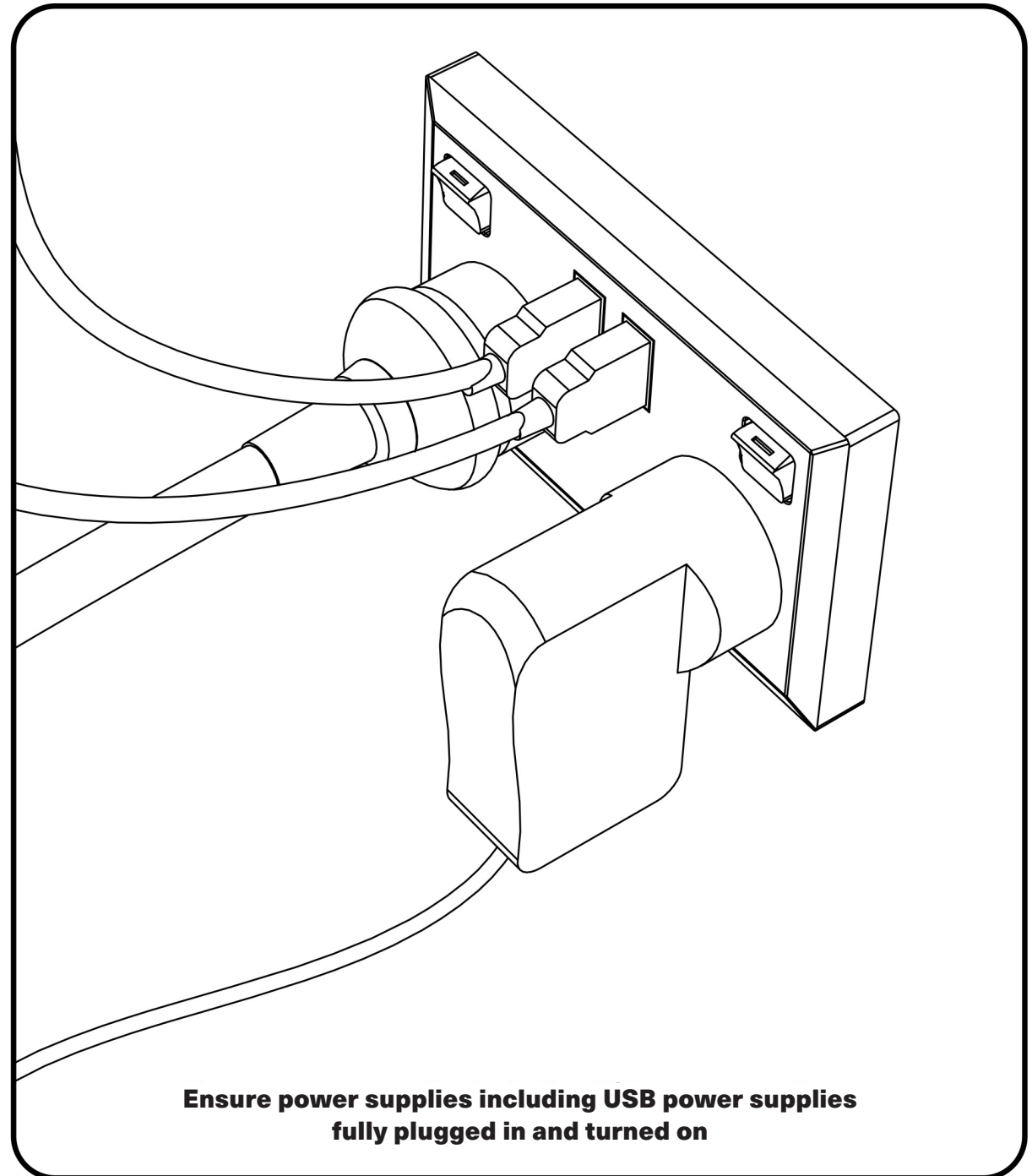
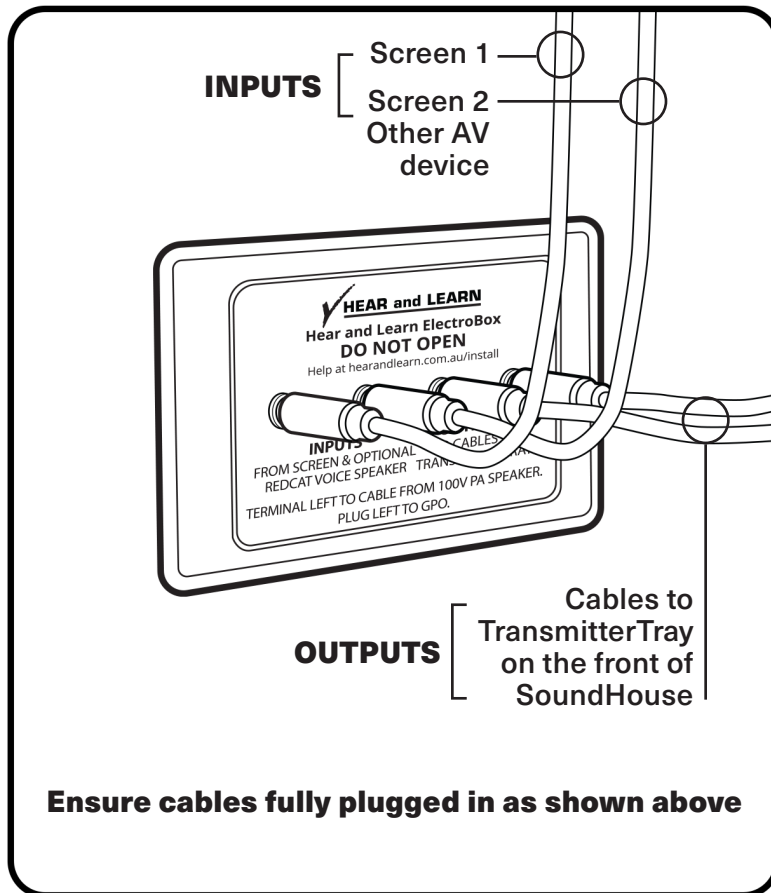


SoundHouse

Recess in Cavity

Cable Connection

If your SoundHouse has 975 amp/receiver/microphones



Installation Instructions



SoundHouse
Recess in Cavity

Use UConnect in this space to receive audio. Extra transmitters and receivers at Admin.



Use UConnect in this space to receive audio. Extra transmitters and receivers at Admin.

UConnect

www.hearandlearn.com.au

Base of sign must be located not less than 1200mm and not higher than 1600mm above the floor or ground surface

AND

On the wall on the latch side of the door with the leading edge of the sign located between 50mm and 300mm from the architrave; and where this is not possible, the sign may be placed on the door itself.

*** Actual language on sign may vary**

