

# Installation Instructions



## SoundHouse Wall Mounted

 **hear and learn**  
all audio to all ears. always.



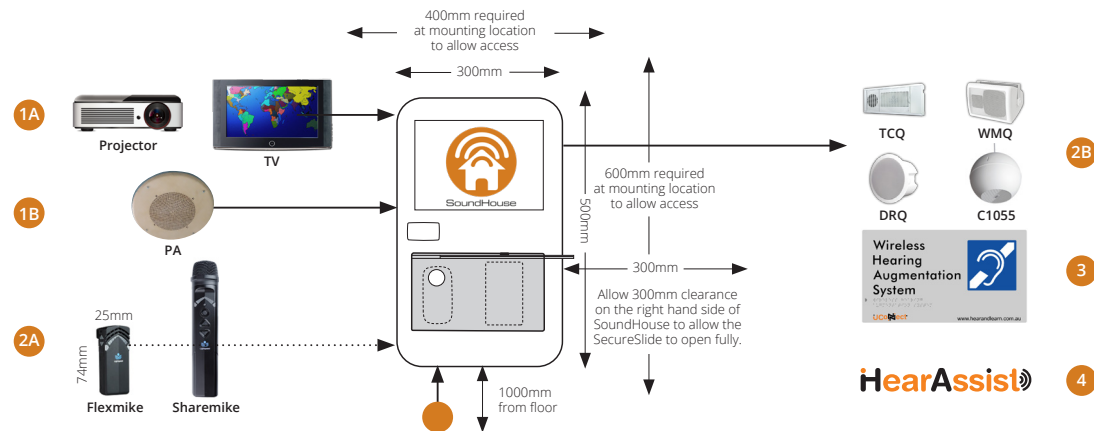
UConnect SoundHouse by hearandlearn.com.au is a bespoke steel cabinet complete with internal electronics, power supplies, labelling and signage for capturing and delivering instructional audio in learning spaces.

There are two versions of the UConnect SoundHouse – our WALL MOUNTED version and our RECESSED version. This document is relevant to installing our WALL MOUNTED version which have a stylised rear body for easy install complete. It is not designed to be recessed into a wall cavity.

Your wall mounted SoundHouse is equipped with HEARING AUGMENTATION facilities. This means forms of electronic Instructional Audio, PA, Screens – will be connected to the SoundHouse making it available to people in these spaces who have receivers built in their hearing aids.

Additionally, your wall mounted SoundHouse MAY be equipped with SOUNDFIELD facilities. This means electronic Instructional Audio will be delivered by Hear and Learn speakers in the space, and voices will also be captured by Hear and Learn teacher Flexmikes and student Sharemikes

SOUNDHOUSE IS FOR EVERYDAY USE BY TEACHERS AND LEARNERS, BE UNOBSCURED, HAVE EASY ACCESS AND WITH LINE OF SIGHT OF AREAS OF THE ROOM.



**1A.** For the purpose of Hearing Augmentation, SoundHouse captures and distributes TV/Screen/Projector audio. No additional speaker infrastructure required. If the length of cable from output of TV/Screen/Projector to SoundHouse is less than 10m, use general audio cable with 3.5mm male plug to connect to SoundHouse with suitable connection to TV/Screen/Projector. If length of cable from output of TV/Screen/Projector to SoundHouse is more than 10 metres,

use CAT 5E/6 cable with 3.5mm Stereo Audio Cat5e/6 Extenders at each end for connection to SoundHouse (via 3.5mm male plug) and to TV/Screen/Projector (to suit output of device).

**1B.** For the purpose of Hearing Augmentation, SoundHouse captures front office messaging/PA. From closest PA speaker, cable from rear of speaker to SoundHouse to terminal in SoundHouse. SoundHouse transmits signal internally – no additional transformer required.

**2A.** Your SoundHouse may have Soundfield equipment installed. Hear and Learn one piece teacher Flexmike and student Sharemike paired to SoundHouse via 1.9 ghz Dect platform to avoid congestion with other forms of education technology. Microphones are stored and charged within the lockable SoundHouse.

**2B.** Your SoundHouse may have Soundfield equipment installed and will involve speakers being installed. PLEASE SEE THE SPEAKER CABLING INSTRUCTIONS at [hearandlearn.com.au/install](http://hearandlearn.com.au/install). This will

involve 2 core, 1.5mm figure 8 speaker cable to Hear and Learn speaker(s) as per design to suit size, shape and ceiling type of learning space. Contact Hear and Learn for installation advice.

**3.** Braille Tactile signs provided by Hear and Learn. They must be mounted to these compulsory rules: The sign must be located less than 1200 mm and not higher than 1600 mm above the floor or ground surface. Located on the wall on the latch side of the door with the leading edge of

the sign located between 50 mm and 300mm from the architrave. If this is not possible, the sign may be placed on the door itself. **See Page 12.**

**4.** HearAssist includes local installation assistance, commissioning and staff training.

**5.** Connection of power to GPO's prebuilt into SoundHouse. No wall GPO(s) required.



See [hearandlearn.com.au/hearing-augmentation-solutions](http://hearandlearn.com.au/hearing-augmentation-solutions)

[hearandlearn.com.au](http://hearandlearn.com.au)

UConnect SoundHouse, Mini, 975 POINT-TO-PAIR-3, Redcat POINT-TO-PAIR-3 and Topcat POINT-TO-PAIR-3 are part of the Hear and Learn technology family

Offices Australia wide (03) 9370 9355

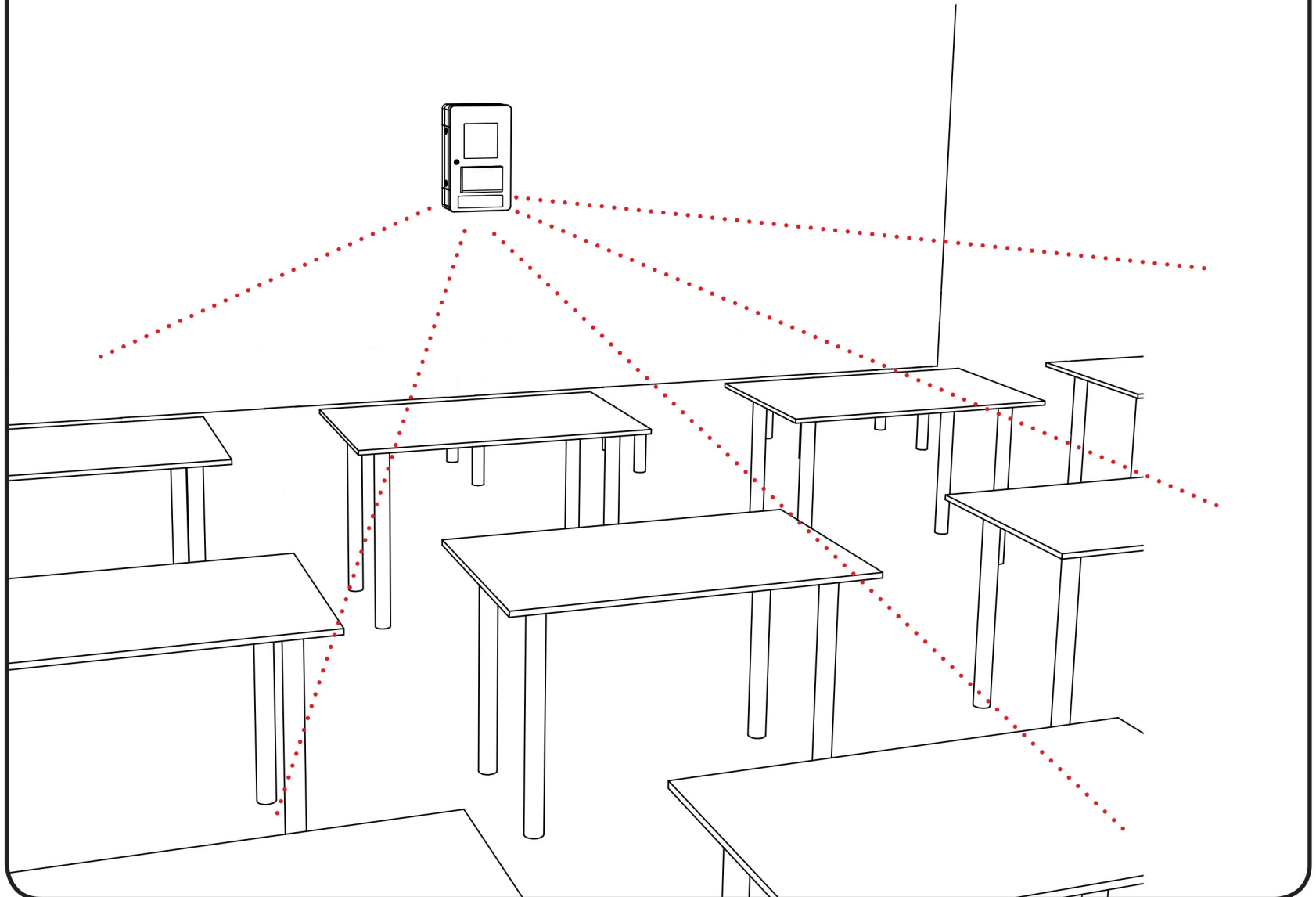
# Installation Instructions



SoundHouse  
**Wall Mounted**

**\* Position shown for illustration  
purposes only**

**Follow directions / drawings of Ar-  
chitect / Electrical Consultant. In all  
cases SoundHouse to be accessible  
by learners, teachers and visitors, be  
in line of sight and unobscured.**



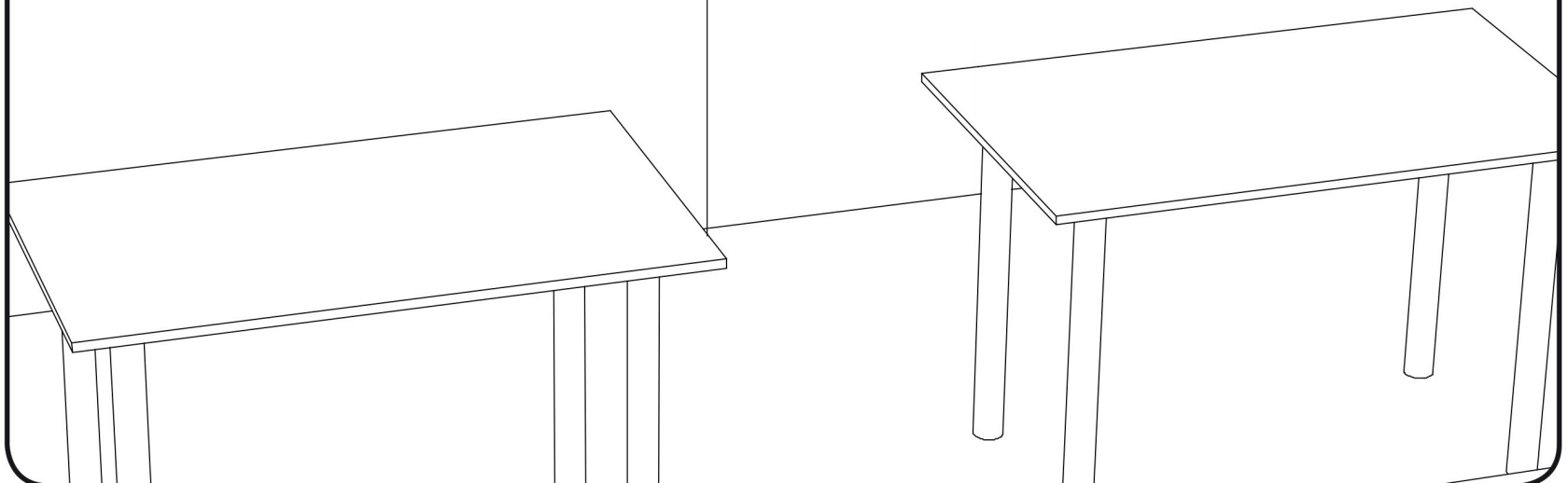
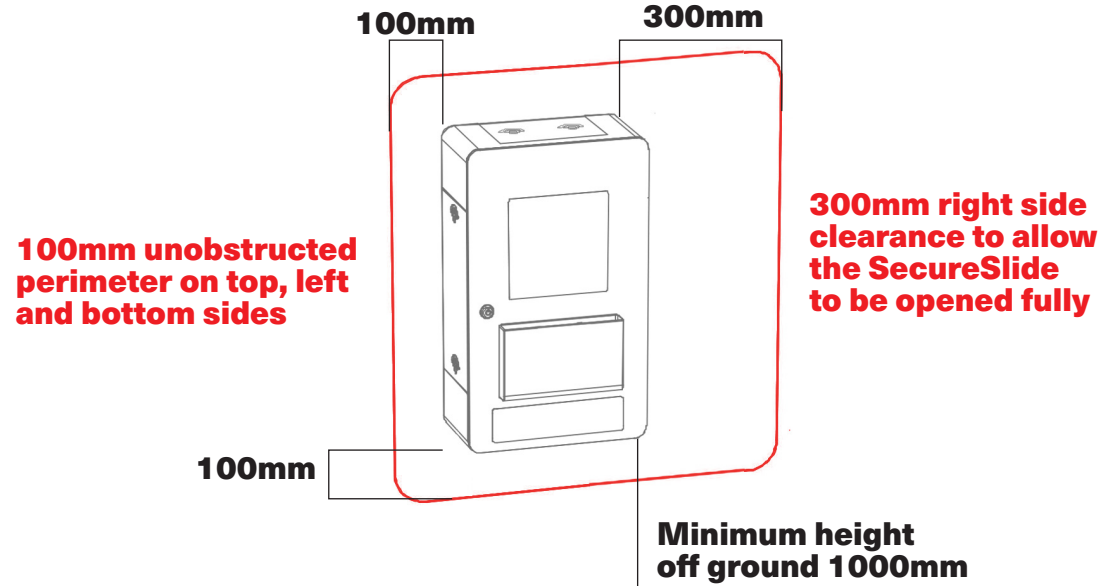
# Installation Instructions



SoundHouse  
Wall Mounted

**\* Position shown for illustration purposes only**

**Soundhouse to be accessible to all learners, be in line of sight, and unobscured**

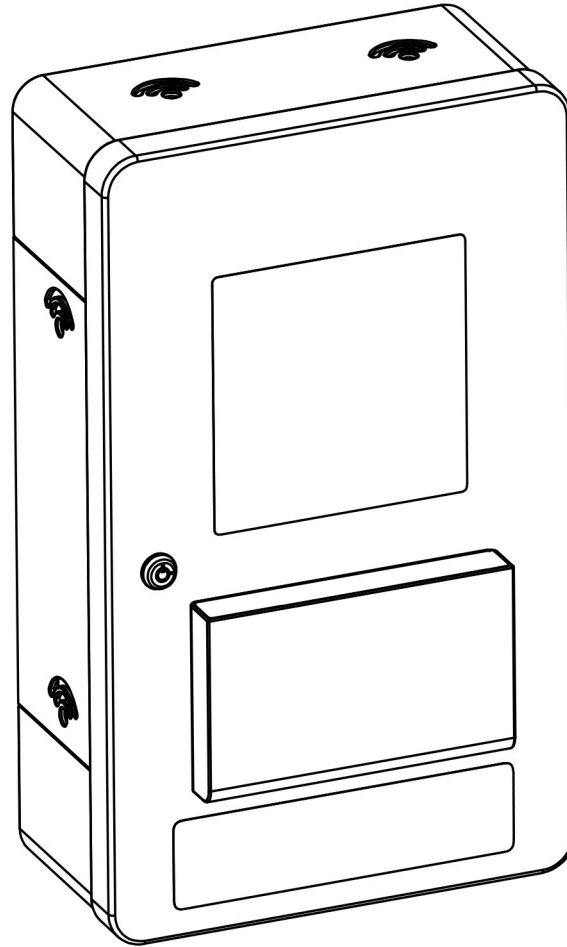


# Installation Instructions



SoundHouse  
**Wall Mounted**

**Direct wall mounted**



# Installation Instructions



SoundHouse  
Wall Mounted

## Direct wall mounted Cable routing

**Precabing is to be completed prior to installation of SoundHouse in accordance with electrical diagrams for the project.**

**All SoundHouses require connection of power to inbuilt GPO's in SoundHouse. Connection of power to SoundHouses to be performed by electrician.**

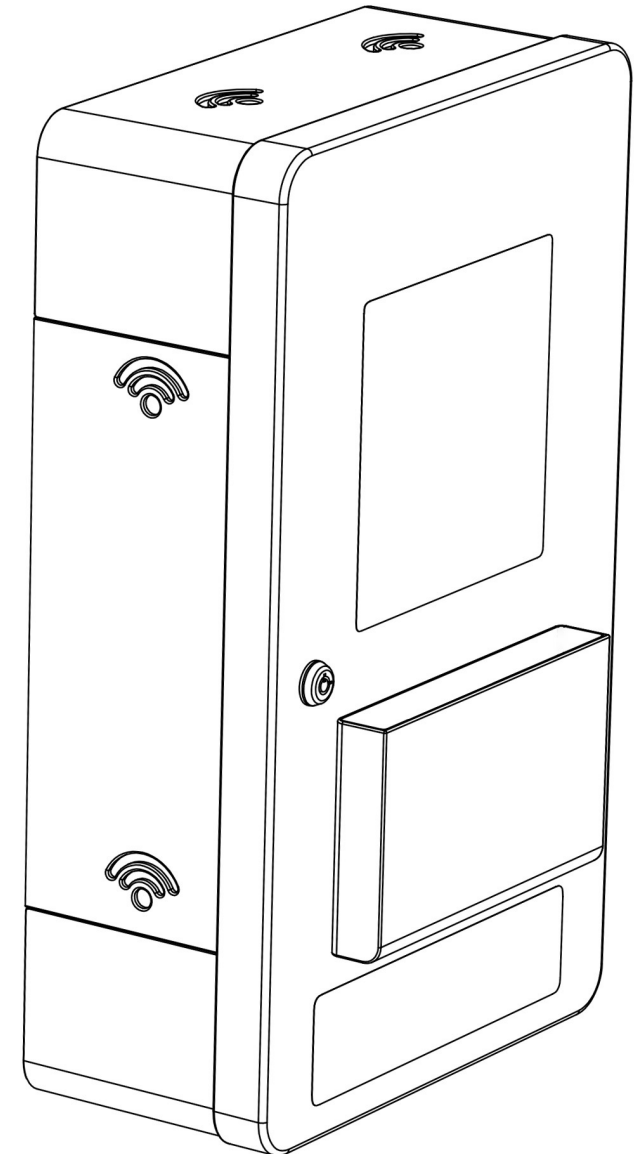
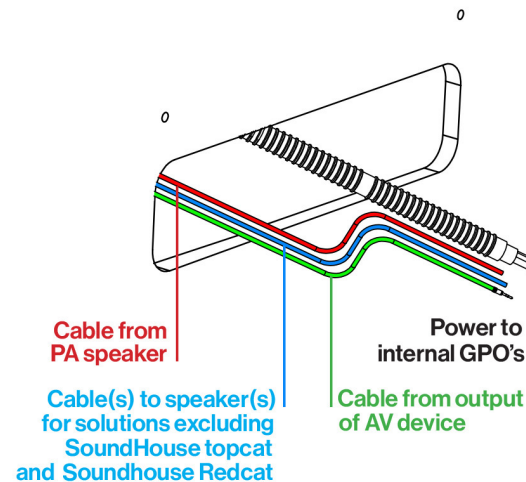
**Other cables will require connection as per electrical diagrams. These connections may include cable from PA Speaker, cable from AV systems, and cables to speakers in the learning space.\***

**SoundHouse has holes in its rear to feed cables to its internals for wall mounting, and holes in its base for recessed installation.**

**\* NOTE: point 2 on page one regarding cabling length from AV source to SoundHouse.**

**NB. Connect 240v power to first internal preinstalled GPO and parallel cable to two other internal preinstalled GPOs. No extra GPOs required for installation.**

Rear 25mm hole to be used for power supply with electrician supplied conduit. Hole is rear of Soundhouse not to be used when recessed into wall.



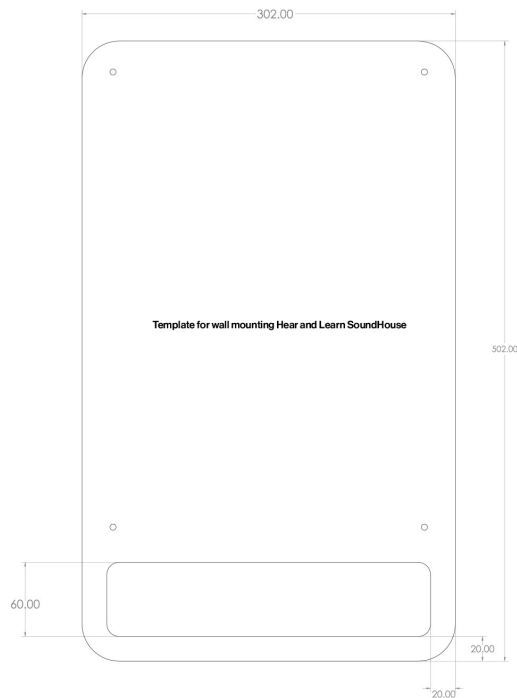
# Installation Instructions

 **hear and learn**  
all audio to all ears. always



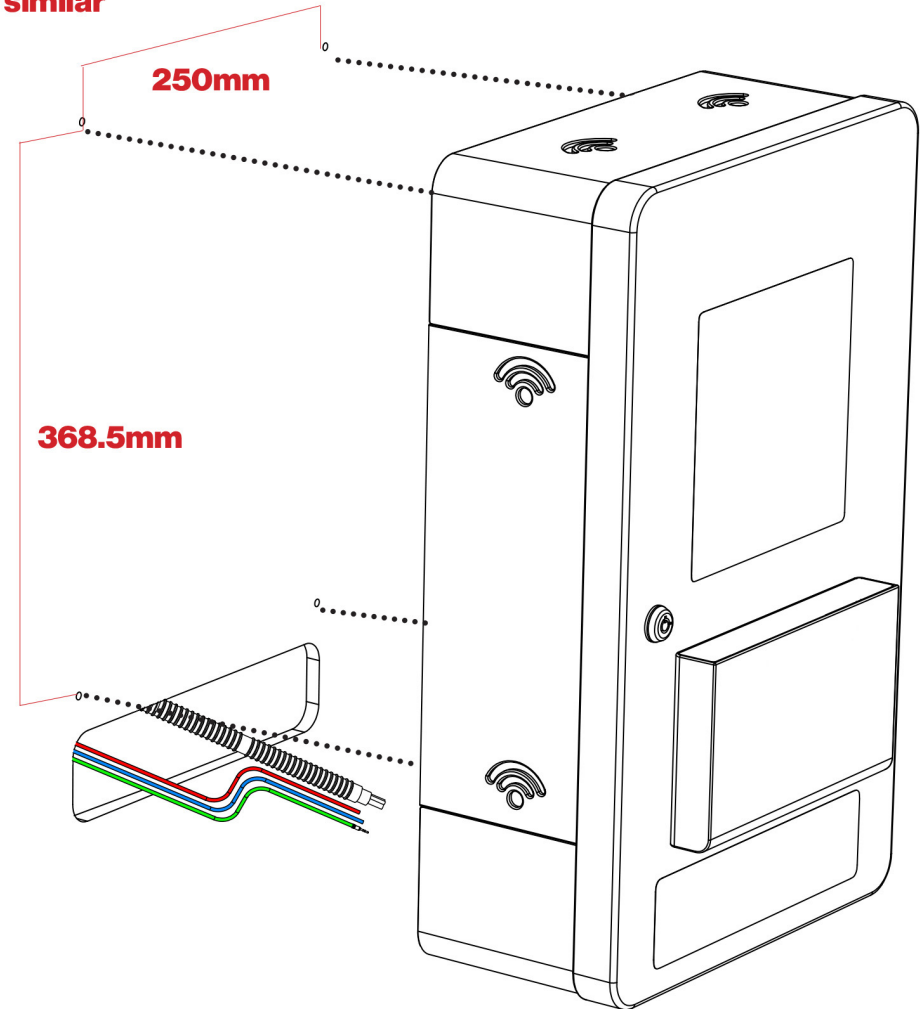
SoundHouse  
**Wall Mounted**

**Cut out in wall to allow cables of unit**



Download installation template at:  
[hearandlearn.com.au/install](http://hearandlearn.com.au/install)

**Installer responsible for ensuring cabinet is mounted to secure stud or similar**



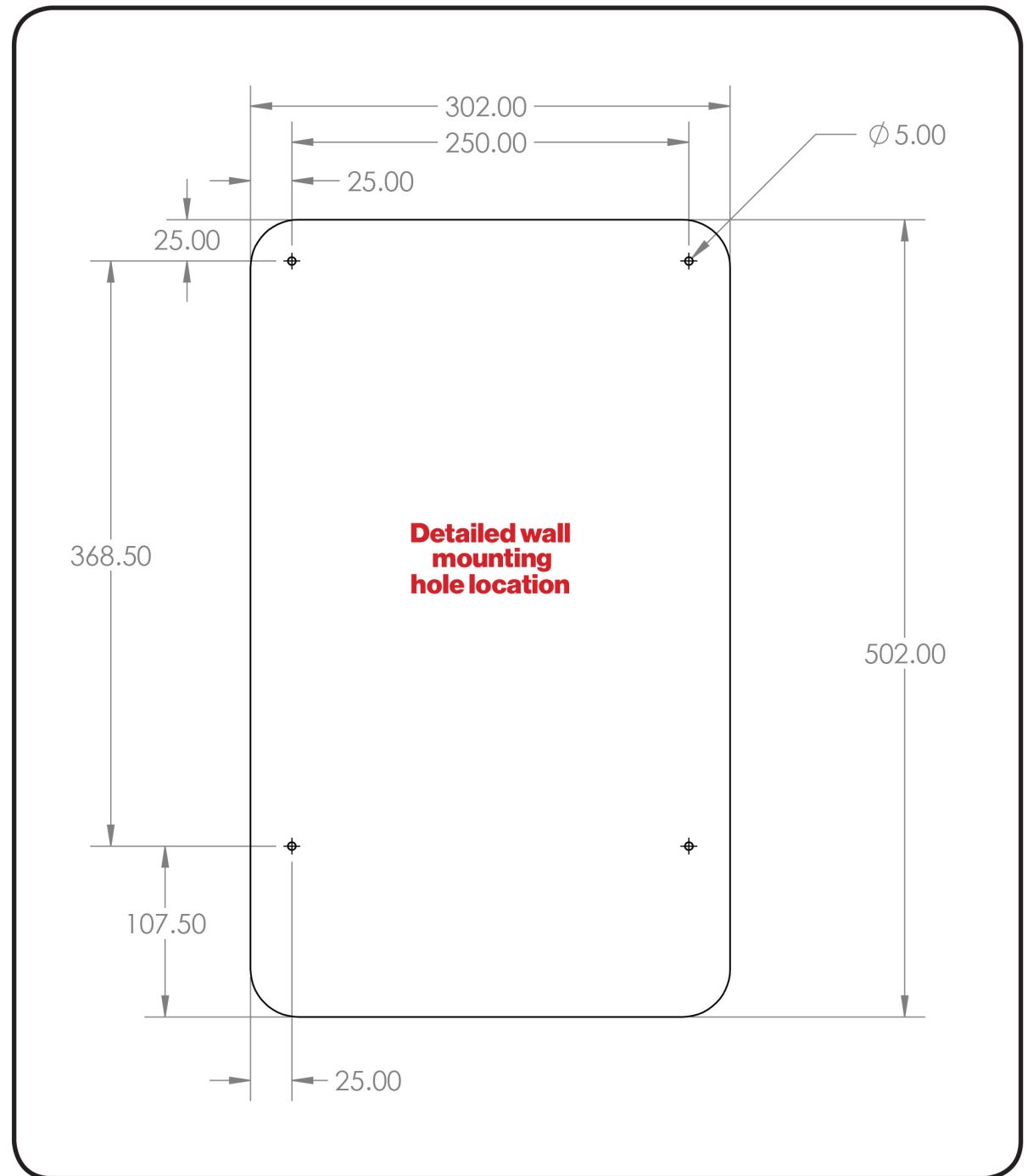
**Cabelling to exit - location as we determine**

**See following page for detailed wall mounting hole location**

# Installation Instructions



SoundHouse  
**Wall Mounted**



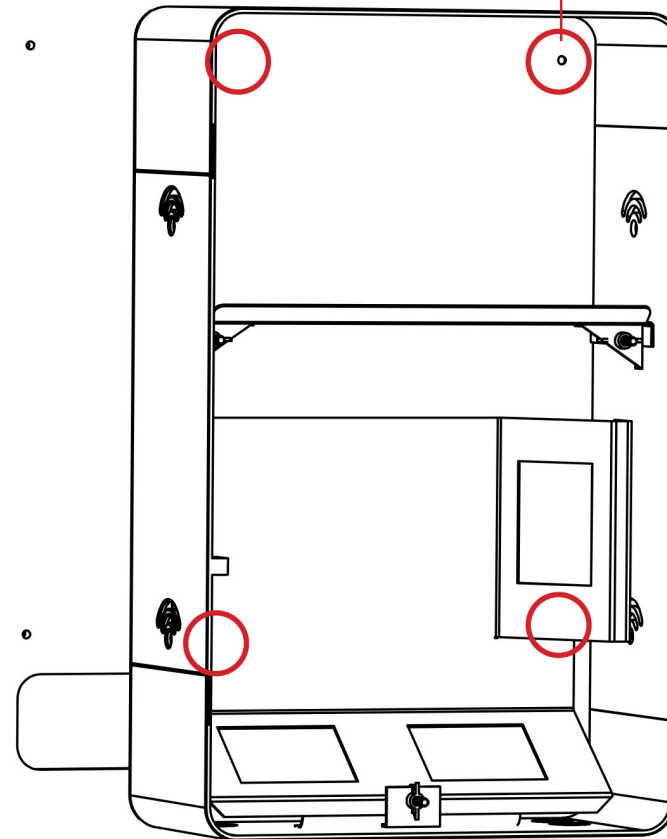
# Installation Instructions



SoundHouse  
**Wall Mounted**

**\*Image indicative only.  
Internal components  
not shown. All care  
needs to be taken to  
not damage internals  
during mounting.**

**Screw fix to wall  
from inside at all  
four corners.**





# Installation Instructions

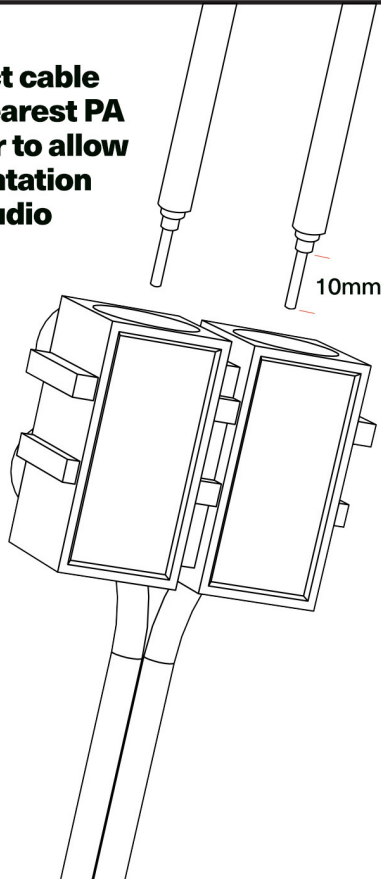


SoundHouse  
**Wall Mounted**

## Cable Connection

If your SoundHouse has  
975 amp/receiver/microphones

**Connect cable  
from nearest PA  
speaker to allow  
augmentation  
of PA audio**



See Speaker cabling instructions at  
[www.hearandlearn.com.au/install](http://www.hearandlearn.com.au/install)



Speaker outputs

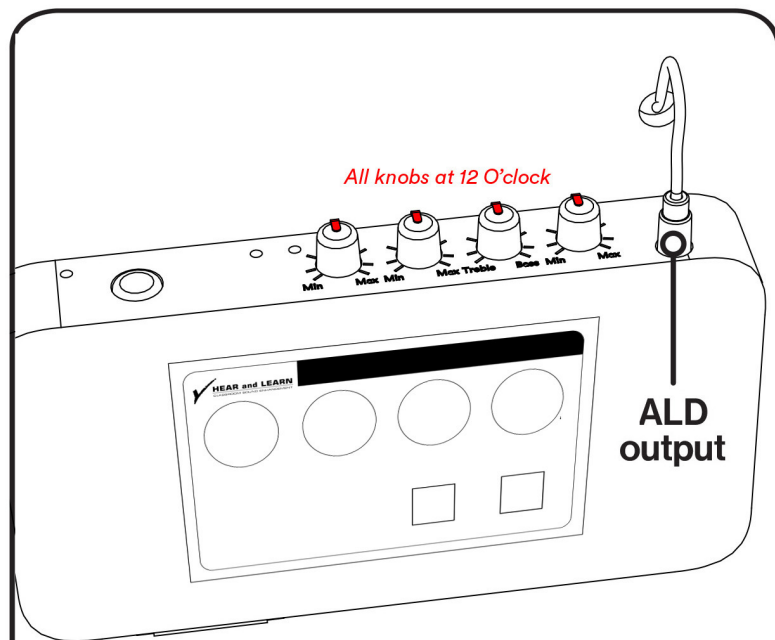
# Installation Instructions



SoundHouse  
**Wall Mounted**

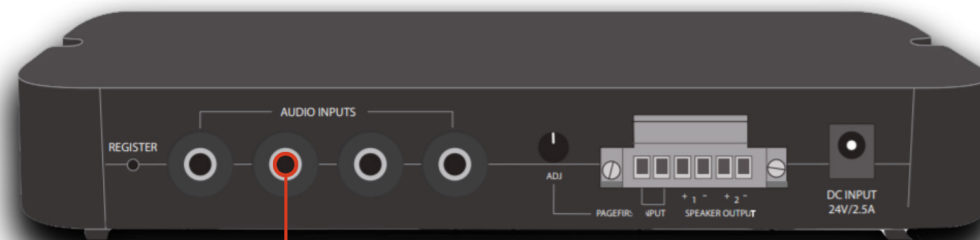
## Cable Connection

If your SoundHouse has  
975 amp/receiver/microphones

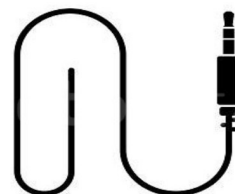


**Ensure cable is fully plugged into ALD output and  
volumes at 12 O'clock**

See speaker cabling instructions at  
[www.hearandlearn.com.au/install](http://www.hearandlearn.com.au/install)



Connect input from  
TV/whiteboard/projector  
device(s) here



**3.5mm male plug shown. Note point 2 on page 1 -  
this may be an audio extender depending on cable  
length from audio source**

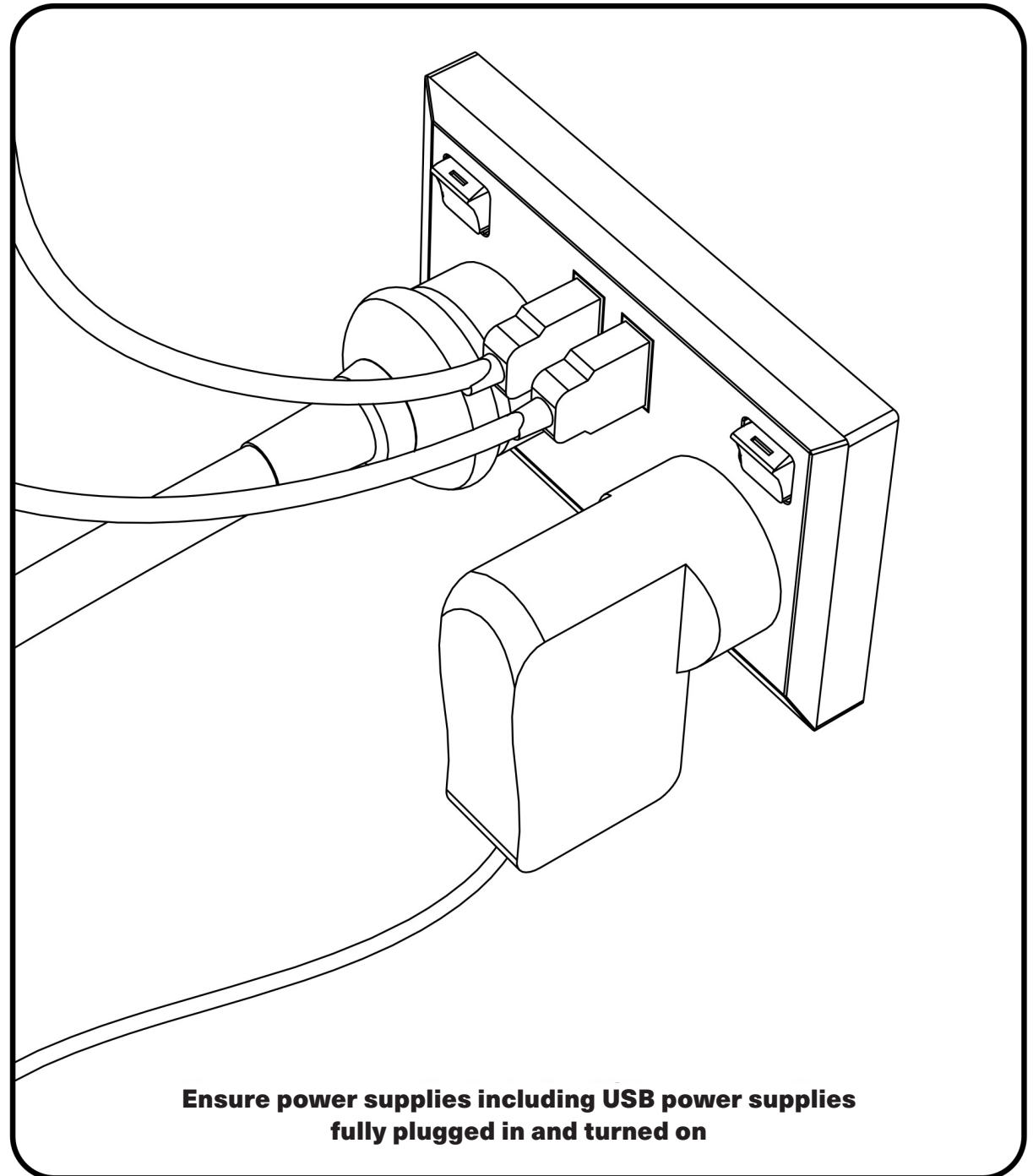
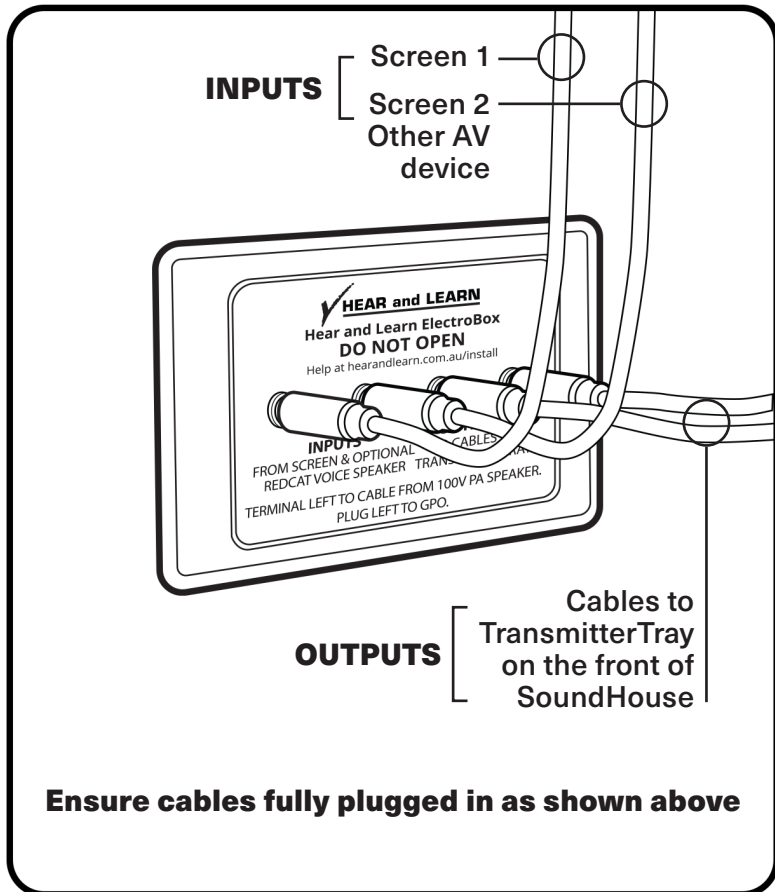
# Installation Instructions



SoundHouse  
Wall Mounted

## Cable Connection

If your SoundHouse has  
975 amp/receiver/microphones



# Installation Instructions



SoundHouse  
**Wall Mounted**

Use UConnect in this space to receive audio. Extra transmitters and receivers at Admin.



Use UConnect in this space to receive audio. Extra transmitters and receivers at Admin.

UConnect

[www.hearandlearn.com.au](http://www.hearandlearn.com.au)

**Base of sign must be located not less than 1200mm and not higher than 1600mm above the floor or ground surface**

**AND**

**On the wall on the latch side of the door with the leading edge of the sign located between 50mm and 300mm from the architrave; and where this is not possible, the sign may be placed on the door itself.**

**\* Actual language on sign may vary**

