

Hear and Learn Speaker Wiring Instructions for 975 Amp receiver

Red cables are positive. Black cables are negative. Blue cables are bridging cables



DRQ SPEAKER

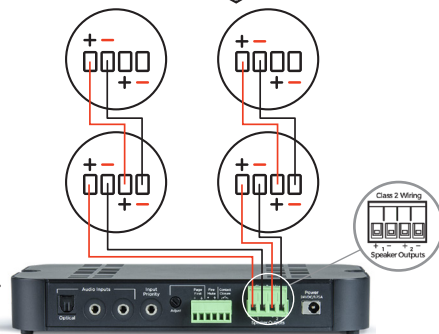
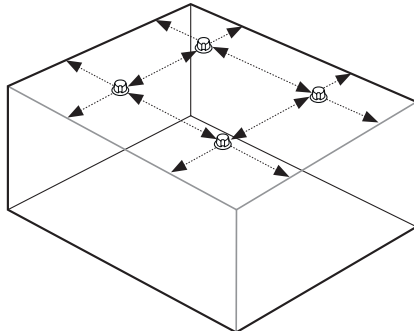
DRQ for flat plaster/tiles ceilings between 2700 & 3700 mm from floor



PENDANT SPEAKER

Pendant speaker for pitched ceilings/those with voids/ceilings higher than 3700mm from floor

Speakers mounted in ceiling tiles need to be installed safely. Speakers should be equally spaced for even sound distribution. Pendant speakers need to be mounted out of reach.



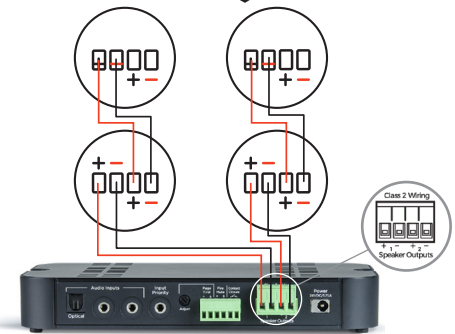
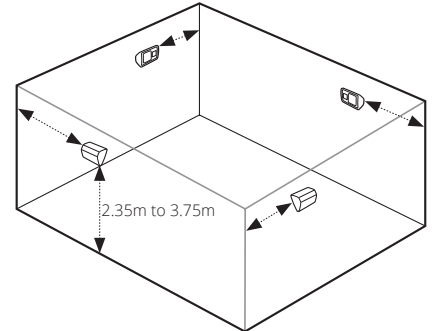
975 Amp Rear
Wiring to 4 x 8 ohm speakers

IF CONNECTING SPEAKERS TO 975 IN SOUNDHOUSE, 975 WILL BE MOUNTED VERTICALLY



WMQ SPEAKER

Depending on ceiling height, speakers should be mounted 2.35m to 3.75m from the floor and 1/3 in from each corner of the room. No two speakers should be directly across from one another. Wall speakers must be mounted out of reach.



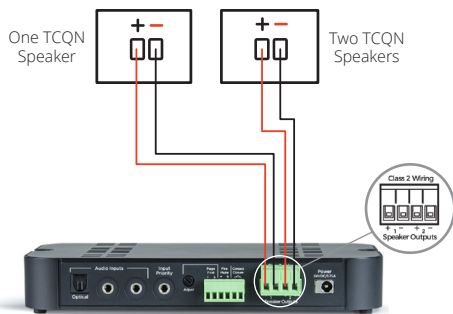
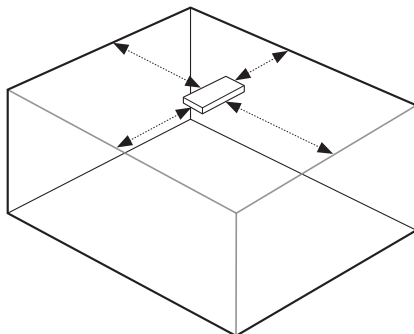
975 Amp Rear
Wiring to 4 x 8 ohm speakers

IF CONNECTING SPEAKERS TO 975 IN SOUNDHOUSE, 975 WILL BE MOUNTED VERTICALLY



TCQN SPEAKER

Single speaker mounted safely in ceiling tile with supplied brackets. Do not install directly above a physical obstacle such as a hanging light fixture or HVAC duct.



975 Amp Rear
All speaker wiring. 2 Cond/18 Awg

IF CONNECTING SPEAKERS TO 975 IN SOUNDHOUSE, 975 WILL BE MOUNTED VERTICALLY

PENDANT SPEAKER



Pendant speaker comes supplied with cable which has seven smaller cables within it of various colours (to allow for connection to various types of amplifiers). For connection to our 975 amplifier, use red cable (as the positive) and black cable (as the negative).

It is the responsibility of the installer to test cabling, and any rework as a result of incorrect cabling, and to determine that speakers are installed safely and in accordance with architect / electrical consultants instructions.

Hear and Learn Speaker Wiring Instructions for 975 Amp receiver

Red cables are positive. Black cables are negative. Blue cables are bridging cables



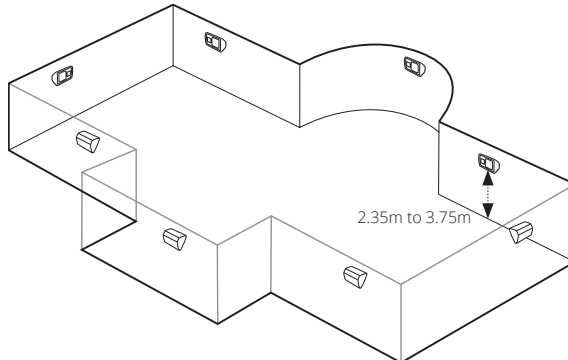
WMQ SPEAKER



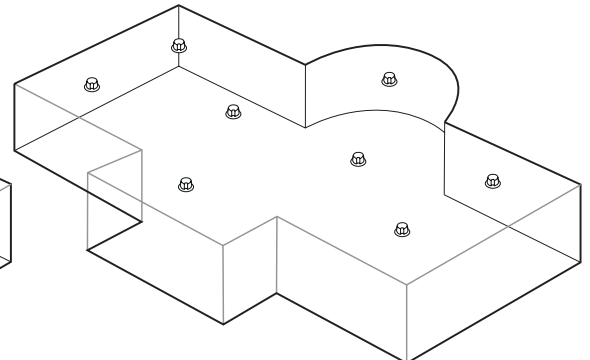
DRQ SPEAKER
DRQ for flat plaster/tiles ceilings between 2700 & 3700 mm from floor



PENDANT SPEAKER
Pendant speaker for pitched ceilings/those with voids/ceilings higher than 3700mm from floor



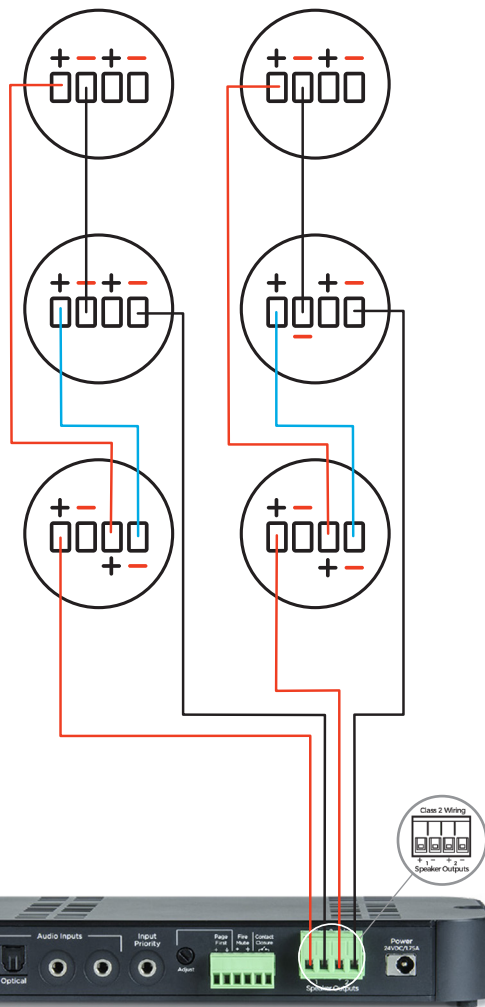
Depending on ceiling height, speakers should be mounted 2.35m to 3.75m from the floor and 1/3 in from each corner of the room. No two speakers should be directly across from one another. Wall speakers must be mounted out of reach.



Speakers mounted in ceiling tiles need to be installed safely. Speakers should be equally spaced for even sound distribution. Pendant speakers need to be mounted out of reach.

WIRING TO SIX SPEAKERS

For both wall mounted, ceiling mounted and pendant speakers. (see page 1 for unique install instructions)

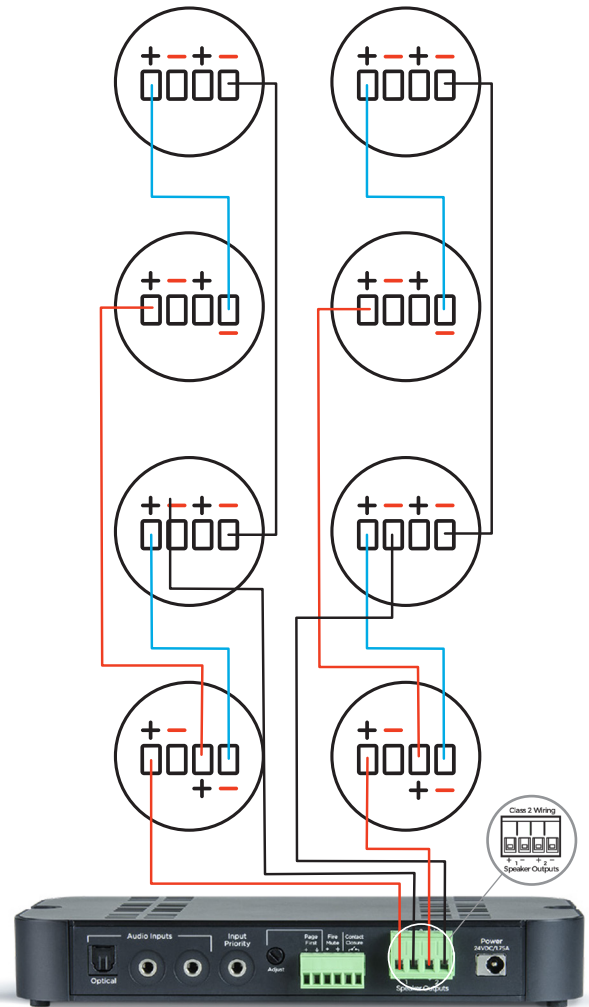


975 Amp Rear

Wiring to 6 x 8 ohm speakers

WIRING TO EIGHT SPEAKERS

For both wall mounted, ceiling mounted and pendant speakers. (see page 1 for unique install instructions)



975 Amp Rear

Wiring to 8 x 8 ohm speakers

IF CONNECTING SPEAKERS TO 975 IN SOUNDHOUSE, 975 WILL BE MOUNTED VERTICALLY

IF CONNECTING SPEAKERS TO 975 IN SOUNDHOUSE, 975 WILL BE MOUNTED VERTICALLY

Hear and Learn Wiring RedCat to UConnect Mini

Cabling via 3.5 mm to 3.5 mm plug cable or CAT6 with audio extenders from Uconnect Mini location to Wall Plate with 3.5 mm socket under mounting location of Redcat Access

UCONNECT MINI

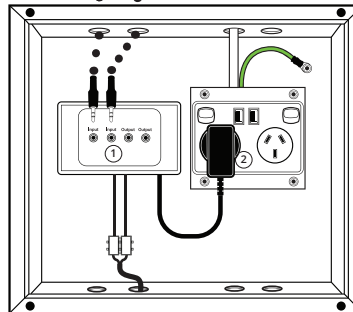


Input from Screen Audio

Left. 3.5 mm plug cable from RedCat wallplate to UConnect Mini input.
Right. Input from Screen Audio

UCONNECT MINI PRE BUILT AND INSTALLED ELECTRONICS HUB

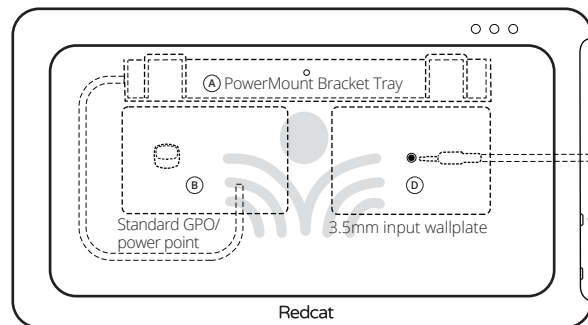
- 1 Bespoke electronics hub with 100v to line level converter for input from local PA speaker, PA priority over other inputs. Input from Screen Audio, and two outputs to transmitters to hearing aids.
- 2 Dual GPO with dual USB output for powering electronics hub and transmitters to hearing aids.



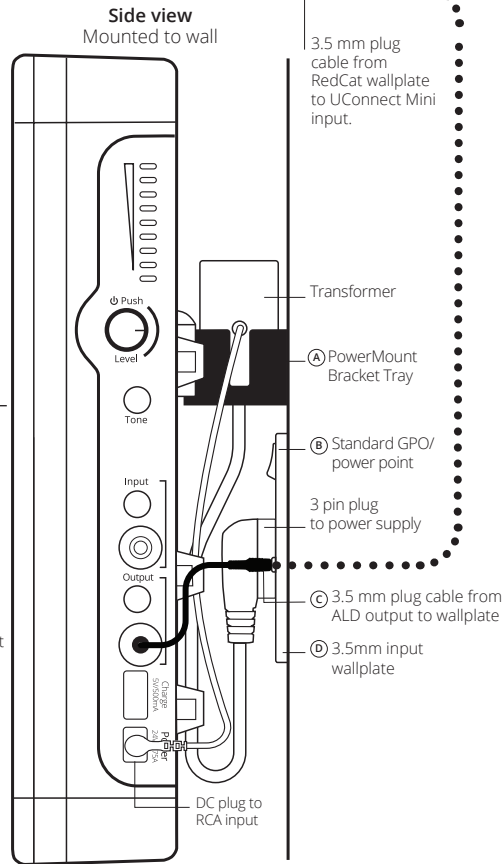
CABLE LENGTH

Cable input from screen to 3.5 female stereo socket. Where cable length from AV device to rear of UConnect Mini is less than 10 metres, run a 3.5mm stereo male cable supplied and installed by others. Where cable length from AV device to rear of UConnect Mini is more than 10 metres, run CAT6 (supplied and installed by others) and at each end connect audio extenders (supplied and installed by others). Connection of cable to AV source to be determined and completed by others.

WALL MOUNTED REDCAT



Front view
Showing position of concealed GPO
& Input wallplate (dotted lines)



Approx 1800mm from bottom of PowerMount bracket to floor

PowerMount

The PowerMount system means the Redcat conceals the wallplate and GPO for an aesthetically pleasing and tamper free solution. For the Powermount installation guide go to hearandlearn.com.au/storage or use the QR code.

