

Installation Instructions



hear and learn
all audio to all ears. always.

PowerPlate **Redcat**
POINT-TO-PAIR-3

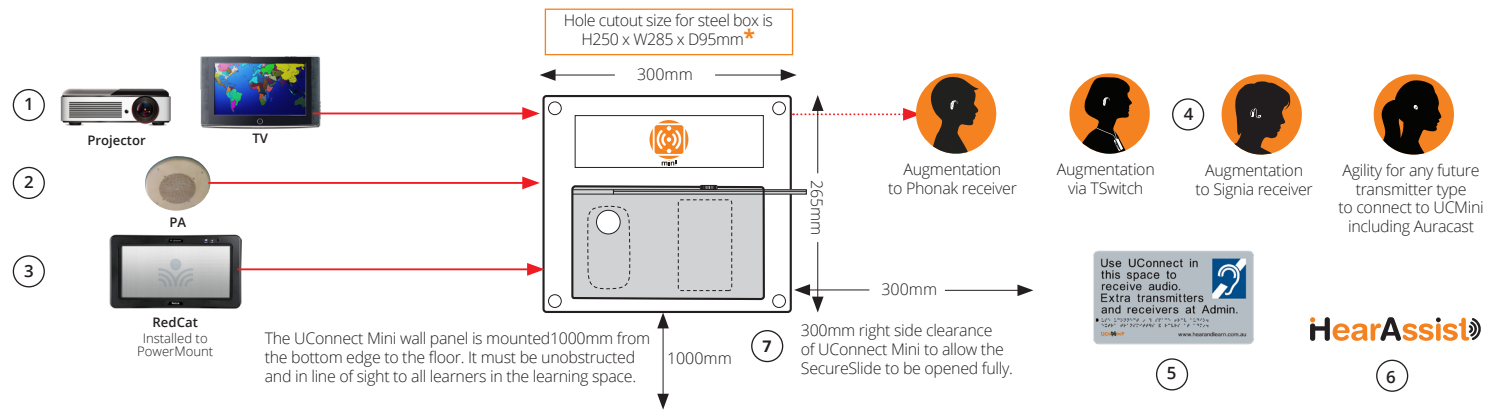


For wall recessing, the UConnect Mini is a steel, low profile hearing augmentation solution. Measuring 300 x 265mm, UConnect Mini is prebuilt by Hear and Learn and comes to site for connection to electricity (no on-wall power points or cables) and prewired inputs from PA speaker, screens and any other audio.

UConnect Mini to be installed in view and reach of learners, teachers and visitors. Soundfield can be added to the UConnect Mini when storing and securing mikes is not a priority. Out of view and touch components include our bespoke electronics which transform and balance audio input, and most cabling.

Ultra-strong polycarbonate Transmitter Tray houses transmitters supplied to the School by Hear and Learn, or those owned by learners. Transmitters can be secured using our SecureSlide system. SecureSlide is easily locked and unlocked using a thumb screw (supplied) when access is needed.

See hearandlearn.com.au/hearing-augmentation-solutions



- 1 Where cable length from AV device to rear of UConnect Mini is less than 10 metres, run a 3.5 stereo male cable supplied and installed by others. Where cable length from AV device to rear of UConnect Mini is more than 10 metres, run CAT6 (supplied and installed by others) and at each end connect audio extenders (supplied and installed by others). Connection of cable to AV source to be determined and completed by others. See Page 6.
- 2 UConnect Mini needs to receive a feed from the PA speaker in the room. Run speaker cable (supplied by third party) from the rear of the PA speaker location through the cabling holes in the top or bottom of the steel box. See Page 6.
- 3 Cable from output of Redcat to input socket built into PowerPlate. From rear of PowerPlate, cable to UConnect Mini. When cable length from wall plate to rear of UConnect Mini is more than 10 metres, run CAT6 (supplied by others) and at each end connect audio extenders. See Page 7.
- 4 The cable is connected to the built in terminal in the UConnect Mini. Hearing-aided learners, teachers and visitors can connect transmitters to the UConnect Mini to receive transmissions of audio including PA announcements and screen devices.
- 5 Braille Tactile signs provided by Hear and Learn. They must be mounted to these compulsory rules: The sign must be located not less than 1200 mm and not higher than 1600 mm above the floor or ground surface. Located on the wall on the latch side of the door with the leading edge of the sign located between 50 mm and 300 mm from the architrave. If this is not possible, the sign may be placed on the door itself. See Page 10.
- 6 HearAssist includes local installation assistance, commissioning and staff training.
- 7 A steel wall-recessed box complete with inbuilt GPO and bespoke electronics for installation to stud / noggin. **A H250mm x W285mm hole to surround the steel box***, with bottom edge of face plate 1000mm approx from the floor allowing teacher and learner access. Connection of power to GPO's prebuilt into UConnect Mini. No wall GPO(s) required. See Pages 5 and 6.

* Installer may wish to make hole cut out size slightly larger to allow easy install. NB. Front plate is wider than steel box. Refer to dimensions Page 2.

hearandlearn.com.au

UConnect SoundHouse, Mini, 975 POINT-TO-PAIR-3, Redcat POINT-TO-PAIR-3 and Topcat POINT-TO-PAIR-3 are part of the Hear and Learn technology family

Offices Australia wide (03) 9370 9355

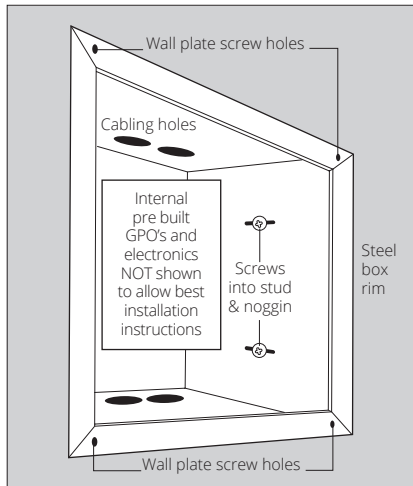
Installation Instructions



min!

Redcat
POINT-TO-PAIR-)

THE BASIC INSTALLATION REQUIRES MOUNTING STEEL BOX TO THE HORIZONTAL AND VERTICAL STUDS.



Mount steel box so plaster / wall surface is flush with steel box.

Cover plate gives 7.5 mm coverage of join of plaster / wall join with steel box on each side.

Connect PA Cable Grey terminal and Screen audio cable to input on electronics in UConnect Mini.

Cables loomed at rear of faceplate to be connected to outputs on electronics in UConnect Mini, and to USB outlets on GPO.

hear and learn
all audio to all ears. always.

PowerPlate Redcat
POINT-TO-PAIR-)



UCONNECT MINI IS A HEARING AUGMENTATION HUB.

THE MINI COMES IN TWO PIECES:

- A A steel wall- recessed box complete with inbuilt GPO and bespoke electronics for installation to stud / noggin.
- B Screw-on face plate complete with Transmitter Tray.

HOLE IN WALL

UConnect Mini must be installed in an unobscured location to allow line of sight to the UConnect Mini. It is for everyday use and accessible to teachers and students.

- 1 Hole for UConnect Mini basket/wall plate system.
W285mm x H250mm hole to surround the steel box, with bottom edge of face plate 1000mm approx from the floor allowing teacher and learner access.

PRECABLING

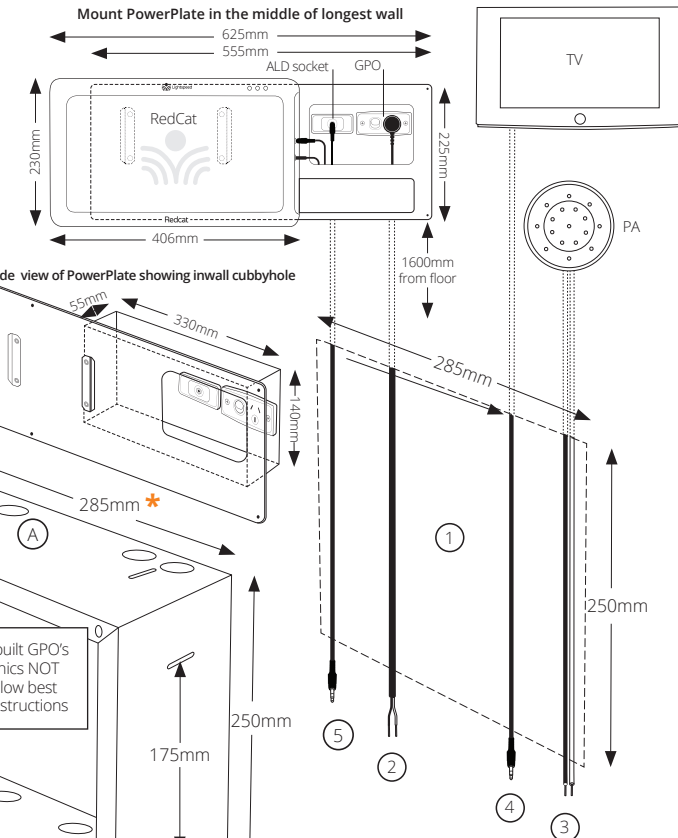
- 2 Power to rear of UConnect
UConnect Mini comes premade with GPOs. These GPOs power the UConnect Mini itself (and its internal electronics).
- 3 Feed from PA speaker in the room.
UConnect Mini needs to receive a feed from the PA speaker in the room. Run speaker cable (supplied by third party) from the rear of the PA speaker location through the cabling holes in the top or bottom of the steel box. The cable is connected to the built in terminal in the UConnect Mini.
- 4 Audio from AV device (TV/Projector)
Where cable length from AV device to rear of UConnect Mini is less than 10 metres, run a 3.5 stereo male cable supplied by Hear and Learn. Where cable length from AV device to rear of UConnect Mini is more than 10 metres, run CAT6 (supplied by third party) and at each end connect audio extenders. Connection of cable to AV source to be determined and completed by others.
- 5 Connecting RedCat
Cable from output of Redcat to input socket built into PowerPlate. From rear of PowerPlate, cable to UConnect Mini. When cable length from wall plate to rear of UConnect Mini is more than 10 metres, run CAT6 (supplied by others) and at each end connect audio extenders.

SECURITY

- 6 Transmitter tray with Secure Slide
Transmitter Tray houses various transmitters to receivers in hearing aids supplied to Australian learners. SecureSlide allows for full security of transmitters and ligature-free usage.



Finished look of UConnect Mini.



* Installer may wish to make hole cut out size slightly larger to allow easy install. NB. Front plate is wider than steel box.

UConnect Mini Steel includes the SecureSlide System. SecureSlide provides security and tamper proofing for transmitters to receivers in hearing aids.

hearandlearn.com.au

UConnect SoundHouse, Mini, 975 POINT-TO-PAIR-), Redcat POINT-TO-PAIR-), and Topcat POINT-TO-PAIR-), are part of the Hear and Learn technology family

Offices Australia wide (03) 9370 9355

Installation Instructions



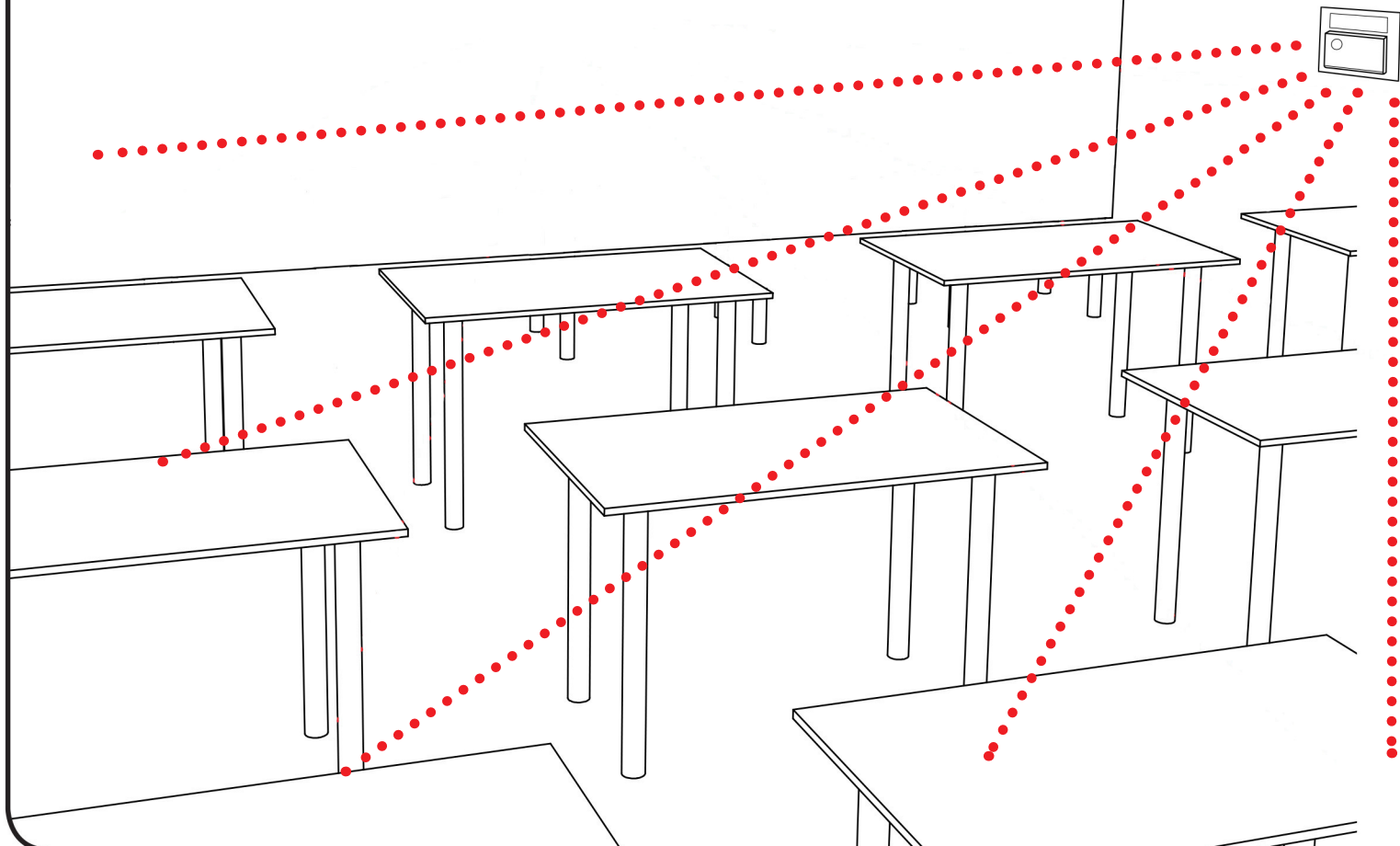
min!

Redcat
POINT-TO-PAIR-))

Follow directions / drawings of Architect / Electrical Consultant. In all cases UConnect Mini to be accessible by learners, teachers, and visitors, be in line of sight and unobscured.

UConnect Mini should not be more than 10m from any learner.

Position shown for illustration purposes only.



Installation Instructions



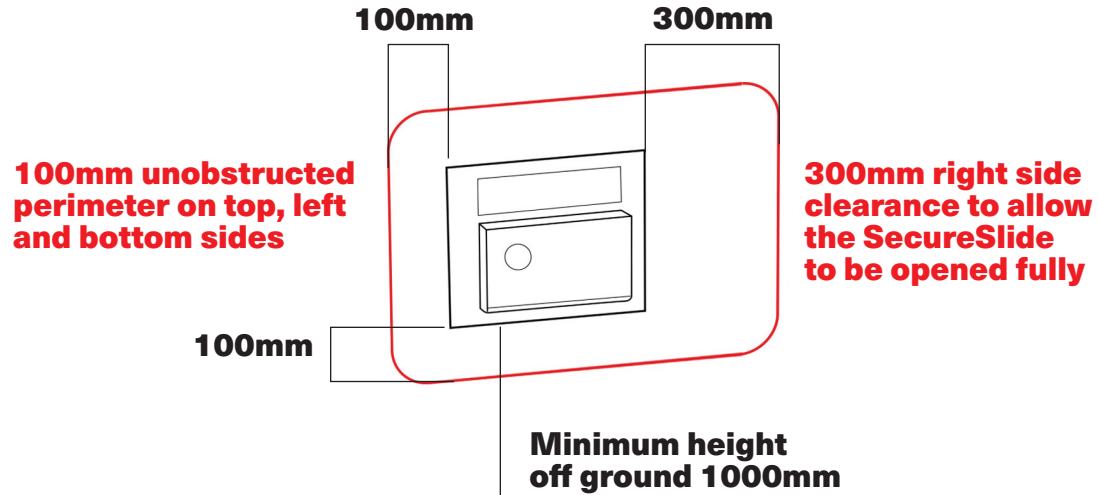
min!

Redcat
POINT-TO-PAIR-))

UConnect Mini should not be more than 10m from any learner.

Position shown for illustration purposes only.

UConnect Mini to be accessible to all learners, be in line of sight and obscured



Installation Instructions

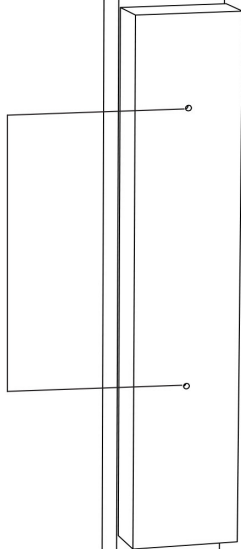


min!

Redcat
POINT-TO-PAIR-)

Hole dimensions for pilot holes in stud/spacer

175mm



Screw fix UConnect Mini box to in wall carpentry. Spacers may be required.

Distance between right and left spacer /stud 285mm. Installer may wish to make hole cut out size slightly larger to allow easy install. NB. Front plate is wider than steel box.

Screw fix through cut outs on both sides.

Installation Instructions

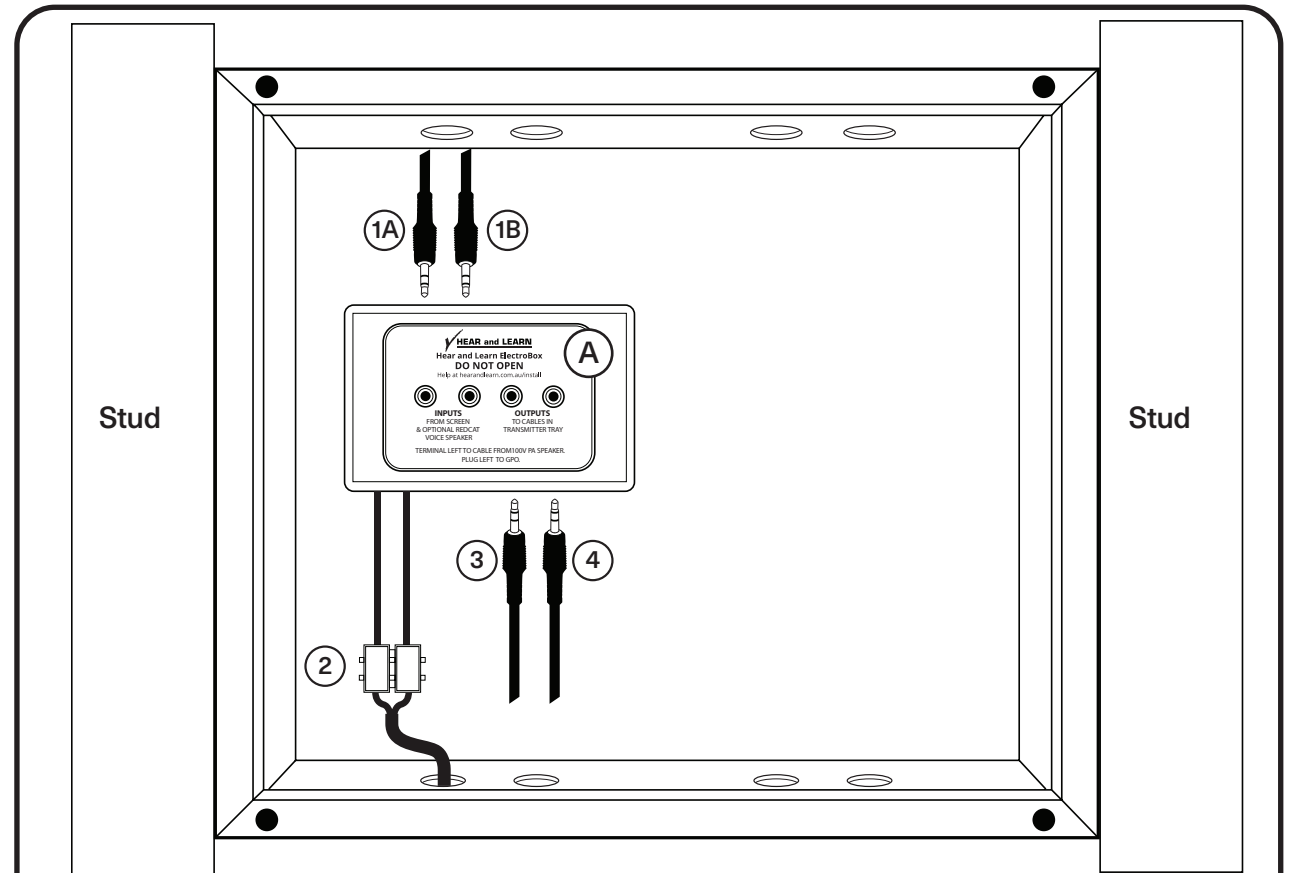


Redcat
POINT-TO-PAIR-)

Precabing is to be completed prior to installation of UConnect Mini in accordance with electrical diagrams for the project.

All UConnect Minis require connection of power to inbuilt GPO. Connection of power to UConnect Mini to be done by a registered electrician.

Other cables will require connection as per electrical diagrams.



- A.** PRE BUILT AND INSTALLED BY HEAR AND LEARN:
Bespoke Electrohub with 100v to line level converter for input from local PA speaker, PA priority over other inputs, input from Screen Audio, and two outputs to transmitters to hearing aids.
- 1A. & 1B** CONNECT PRE INSTALLED CABLE FROM SCREEN AND PRE INSTALLED CABLE FROM REDCAT LOCATION POWERPLATE INSTALLED BY OTHERS:
Cable input from screen to 3.5 female stereo socket. Where cable length from AV device to rear of UConnect Mini is less than 10 metres, run a 3.5 stereo male cable supplied and installed by others. Where cable length from AV device to rear of UConnect Mini is more than 10 metres, run CAT6 (supplied and installed by others) and at each end connect audio extenders (supplied and installed by others). Connection of cable to AV source to be determined and completed by others.
- 2.** Cable from local PA speaker to inbuilt terminal.
- 3.** Output via inbuilt cable pre installed by Hear and Learn to left side of TransmitterTray of Uconnect Mini (for connection to transmitter with 3.5 mm female input including Phonak Media Hub).
- 4.** Output via inbuilt cable pre installed by Hear and Learn to right side of TransmitterTray of Uconnect Mini (for connection to transmitter with dual female with dual female RCA input including Streamline TV Hub).

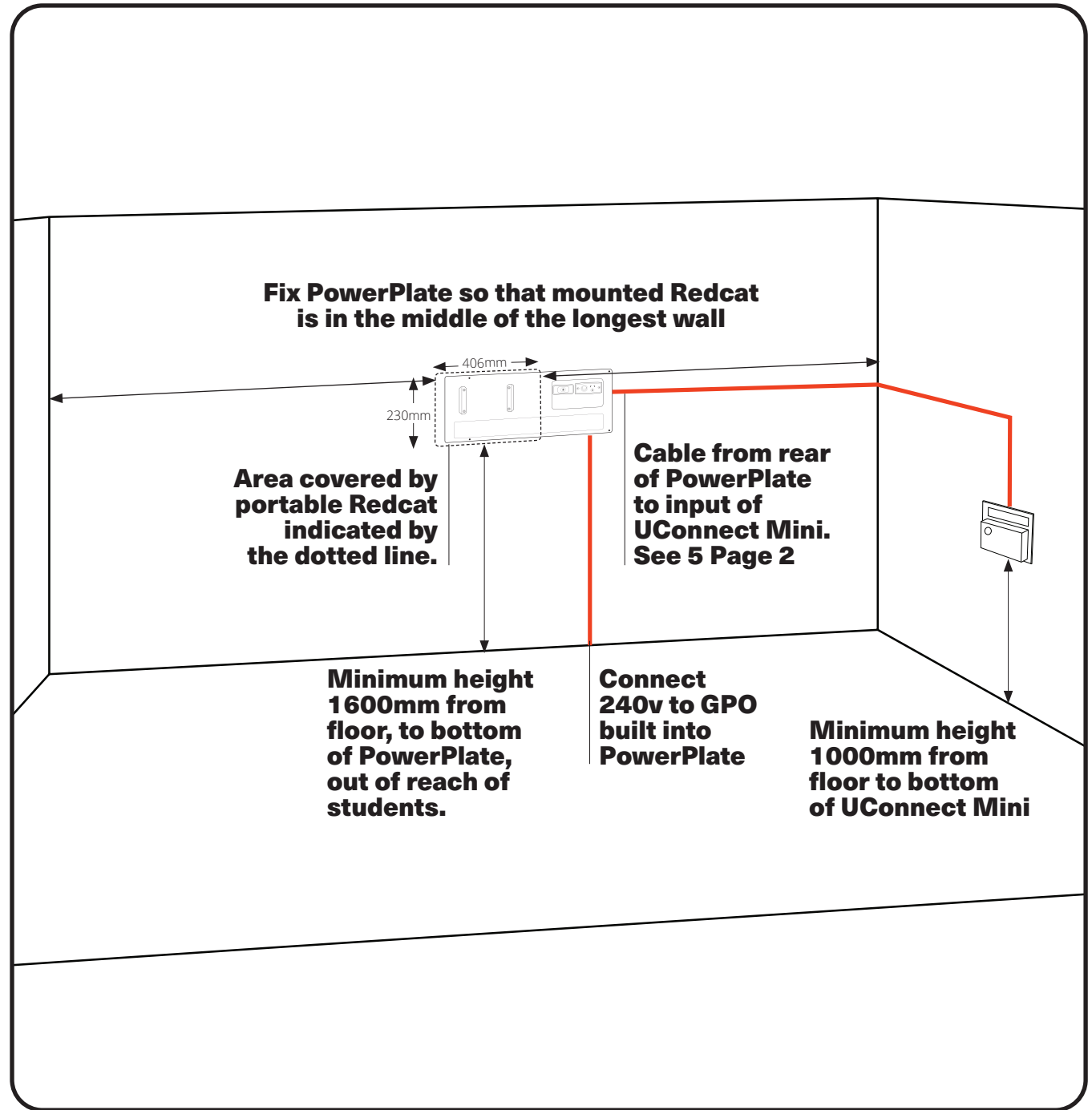
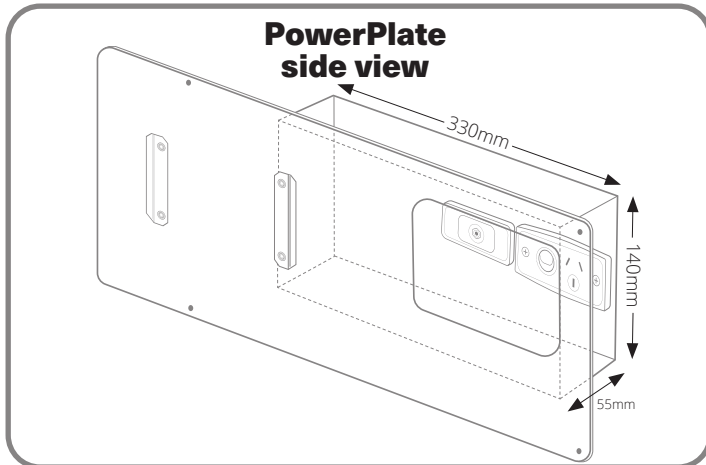
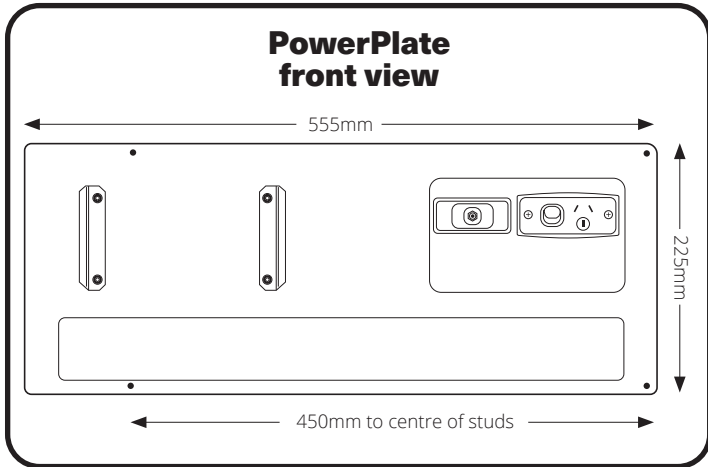
Installation Instructions



min!

Redcat PowerPlate

POINT-TO-PAIR-)



Installation Instructions



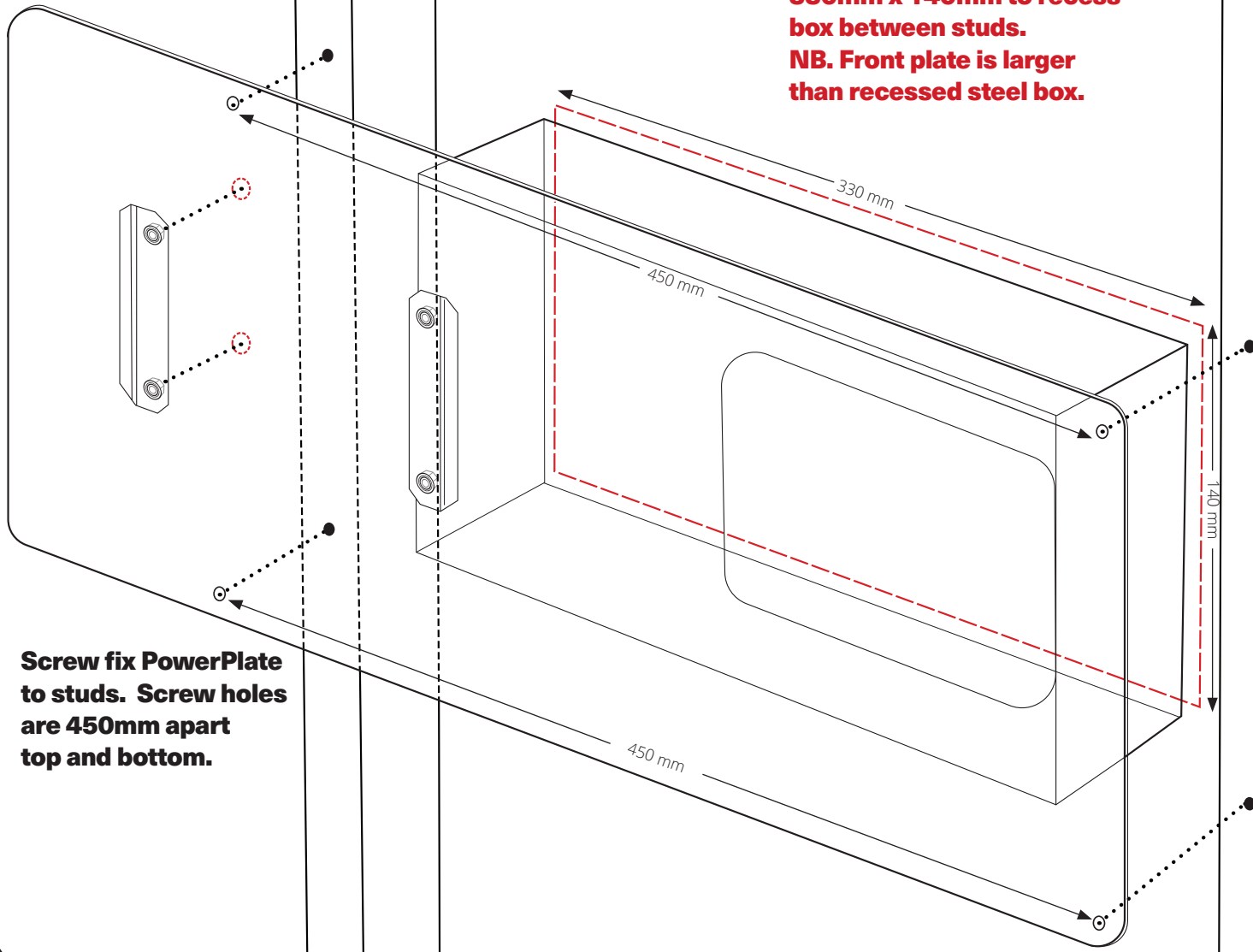
min!

Redcat
POINT-TO-PAIR-)

PowerPlate

Drill holes for heads of nuts protruding from the back of the plate to allow it to sit flush against plaster wall.

**Cut hole in plasterboard 330mm x 140mm to recess box between studs.
NB. Front plate is larger than recessed steel box.**



Screw fix PowerPlate to studs. Screw holes are 450mm apart top and bottom.

Installation Instructions

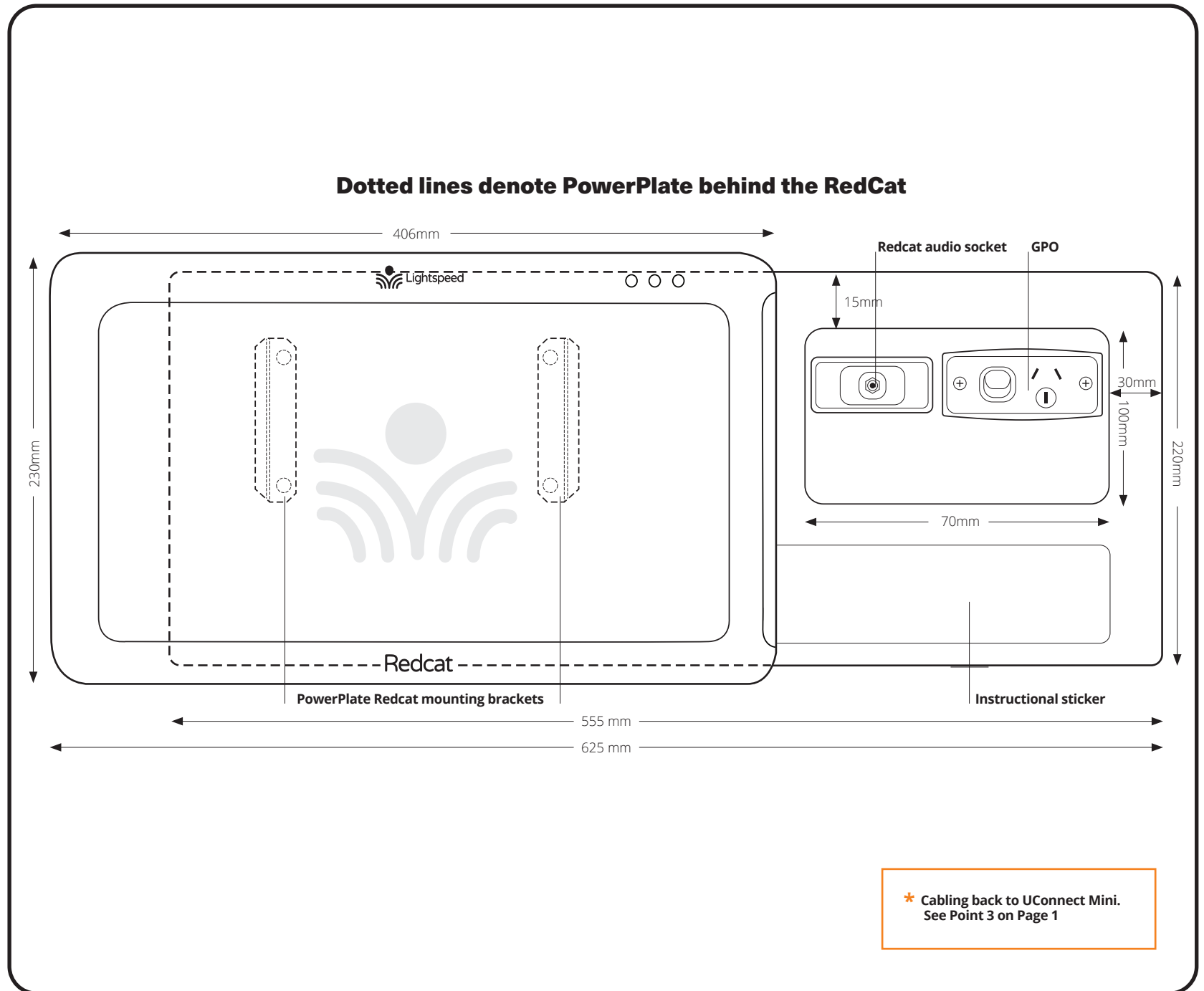


min!

Redcat
POINT-TO-PAIR-))

PowerPlate

Finished look of Redcat mounted on PowerPlate.



Installation Instructions



min!

Redcat
POINT-TO-PAIR-)

Use UConnect in this space to receive audio. Extra transmitters and receivers at Admin.



Use UConnect in this space to receive audio. Extra transmitters and receivers at Admin.

UConnect

www.hearandlearn.com.au

Base of sign must be located not less than 1200mm and not higher than 1600mm above the floor or ground surface

AND

On the wall on the latch side of the door with the leading edge of the sign located between 50mm and 300mm from the architrave; and where this is not possible, the sign may be placed on the door itself.

*** Actual language on sign may vary**

