

Hear and Learn UConnect Mini Plastic with Redcat

Precabing / Wiring Instructions

UConnect Mini is an all in one, Premade hearing augmentation hub which comes to site at the last stage of construction. The basket shown is screwed to sides of vertical and horizontal studs with the rim of the hub overhanging over the front of the studs by the same thickness as the wallboard being used. For example, if you are using 10mm Gib Board, ensure that the rim sits out by 10mm. Wallboard must surround the hub and not overlap the basket.

Dimensions of the basket for the purpose of the hole in the wallboard is 285 mm x 250 mm. Depth of basket is 80 mm. A frame screws to the basket, and plate (complete with storage box) clips into the frame.

Hearing aided children can connect transmitters to receive augmentation of audio direct to receivers built into hearing aids.



A. HOLES IN WALLBOARD

UConnect Mini must be installed in an unobscured location to allow line of sight to the UConnect Mini. It is for everyday use and accessible to teachers and students.

- Holes for UConnect Mini basket/wall plate system.**
285mm x 250mm hole to surround the basket, with bottom edge of system 1000mm approx from the floor.



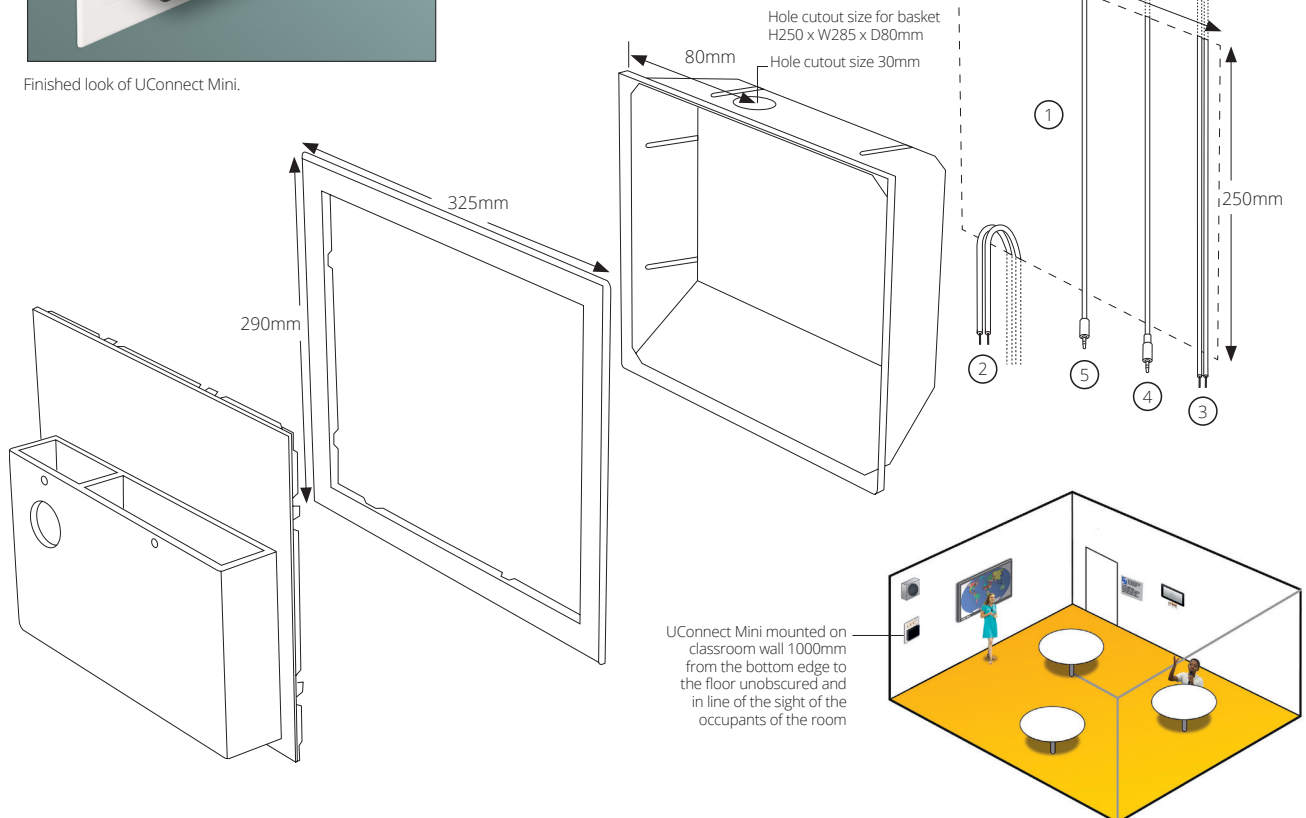
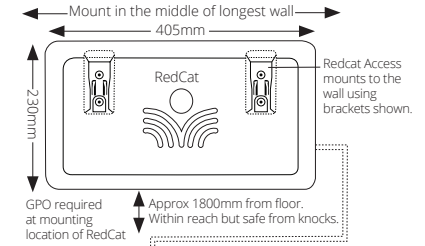
Finished look of UConnect Mini.

B. PRECABLING

- Power to rear of UConnect**
UConnect Mini comes premade with 2 x dual GPO's. These GPO's are to be installed inside the UConnect basket once connected to power. These GPO's power the UConnect Mini itself (and its internal electronics).
- Feed from PA speaker in the room.**
UConnect Mini needs to receive a feed from the PA speaker in the room. Run cable (supplied by others) from the rear of the PA speaker location to the rear of the UConnect Mini. Cable is connected to UConnect Mini using terminal built into UConnect Mini.
- Audio from AV device (TV/Projector)**
Where cable length from AV device to rear of UConnect Mini is less than 10 metres, run a 3.5 stereo male cable supplied by Hear and Learn. Where cable length from AV device to rear of UConnect Mini is more than 10 metres, run CAT6 (supplied by others) and at each end connect audio extenders. Connection of cable to AV source to be determined/completed by others.
- Connecting RedCat**
3.5mm male to 3.5mm male cable from output on right side of RedCat Access to rear of UConnect Mini when cable length from RedCat to rear of UConnect Mini is less than 10 metres. When cable length from AV device to rear of UConnect Mini is more than 10 metres, run CAT6 (supplied by others) and at each end connect audio extenders.

Redcat Access Wall Mounting Instructions

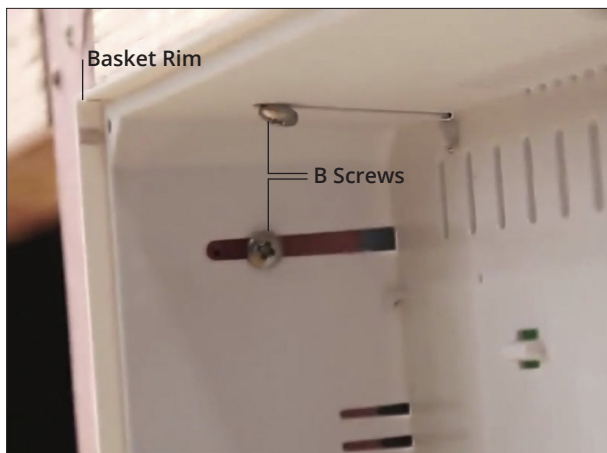
Detailed instructions at www.hearandlearn.com.au/install



Hear and Learn UConnect Mini Plastic

Installation of UConnect Mini

The basic installation requires mounting basket to the horizontal and vertical studs. **NOTE:** Floating clips will need to be used in the corners that are not being secured to a stud (usually only one corner).



- ① Using the B screws, secure the basket to the studs. Make sure the rim of the basket overhangs the front of the studs by the same thickness as the wallboard being used. For example, if you are using 10mm Gib Board, ensure that the rim sits out by 10mm. See pictures above.
- ② After the wallboard has been installed with a cut out for the basket (and plastering, if required, has been completed), attach the frame.
 - (a) Remove the basket from the wall
 - (b) Using the C screws, attach the frame to the basket the corners that will be fixed to the studs.
 - (c) On the corners that are NOT fixed to a stud you will need to use a floating clip. Before you use it, you will need to thread the clip using the A screw. Place the clip against the back of the hub and screw the A screw through the frame, hub and clip.
- ③ Insert the basket into the wall making sure that the frame is sitting on top of the wallboard.
 - (a) Secure with the floating clip/s
 - (b) Using the B screws, secure to the studs.
- ④ Connect the outlets/power points ensuring you follow current electrical guidelines and regulations.
- ⑤ Connect the UConnect Mini front plate lid and the cable cover.

Hear and Learn UConnect Mini Installation of Hearing Augmentation Sign



Base of sign must be located not less than **1200mm** and not higher than **1600mm** above the floor or ground surface.

AND

On the wall on the latch side of the door with the leading edge of the sign located between **50mm** and **300mm** from the architrave; and where this is not possible, the sign may be placed on the door itself.

* Actual language on sign may vary

