

Hear and Learn UConnect Mini Steel

Installation and Cabling Instructions

UCONNECT MINI IS A HEARING AUGMENTATION HUB.

THE MINI COMES IN TWO PIECES:

- (A) A steel wall- recessed box complete with inbuilt GPO and bespoke electronics for installation to stud / noggin.
- (B) Screw-on face plate complete with Transmitter Tray

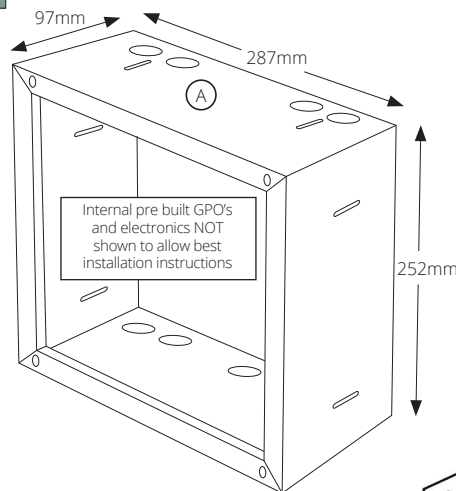
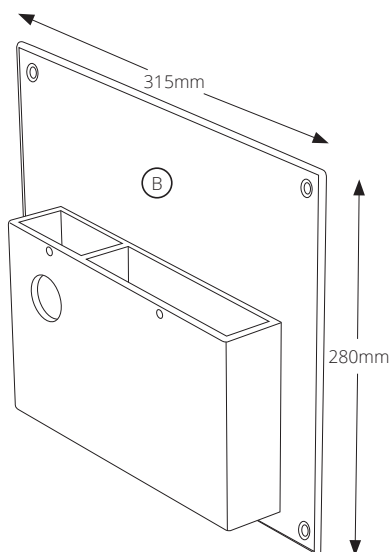
HOLE IN WALL

UConnect Mini must be installed in an unobscured location to allow line of sight to the UConnect Mini. It is for everyday use and accessible to teachers and students.

- (1) **Hole for UConnect Mini basket/wall plate system.**
W285mm x H250mm hole to surround the steel box, with bottom edge of face plate 1000mm approx from the floor allowing teacher and learner access.



Finished look of UConnect Mini.

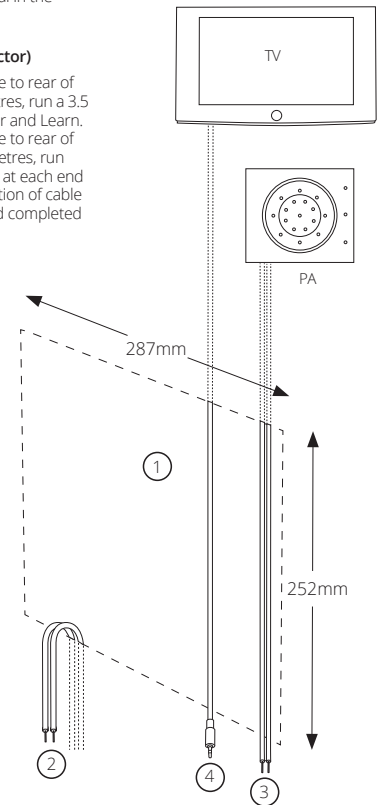


Dimensions of the steel box for the purpose of wall cut out is W287mm x H252mm.

Hearing-aided learners, teachers and visitors can connect transmitters to the UConnect Mini to receive transmissions of audio including PA announcements and screen devices.

PRECABLING

- (2) **Power to rear of UConnect**
UConnect Mini comes premade with GPOs. These GPOs power the UConnect Mini itself (and its internal electronics).
- (3) **Feed from PA speaker in the room.**
UConnect Mini needs to receive a feed from the PA speaker in the room. Run speaker cable (supplied by third party) from the rear of the PA speaker location through the cabling holes in the top or bottom of the steel box. The cable is connected to the built in terminal in the UConnect Mini.
- (4) **Audio from AV device (TV/Projector)**
Where cable length from AV device to rear of UConnect Mini is less than 10 metres, run a 3.5 stereo male cable supplied by Hear and Learn. Where cable length from AV device to rear of UConnect Mini is more than 10 metres, run CAT6 (supplied by third party) and at each end connect audio extenders. Connection of cable to AV source to be determined and completed by others.

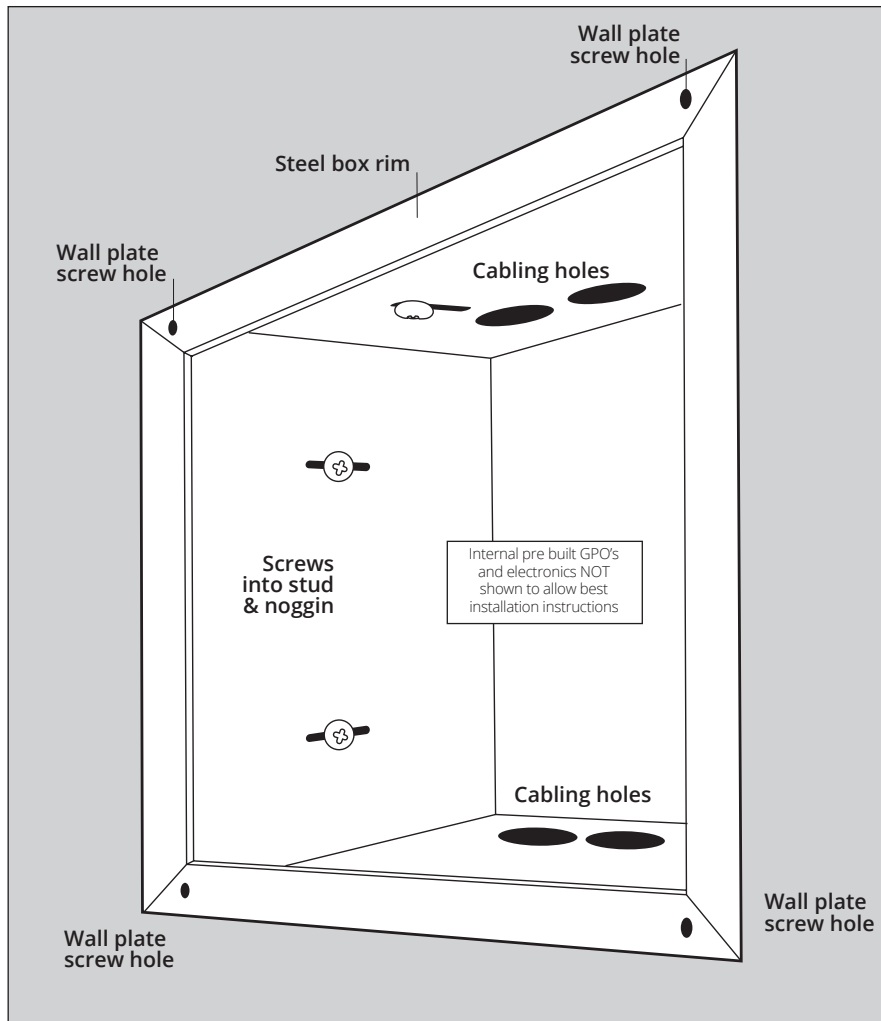


UConnect Mini mounted on classroom wall 1000mm from the bottom edge to the floor unobscured and in line of the sight of the occupants of the room



Hear and Learn UConnect Mini Steel Installation and Cabling Instructions

The basic installation requires mounting steel box to the horizontal and vertical studs.



Mount steel box so plaster / wall surface is flush with steel box.

Cover plate gives 12.5 mm coverage of join of plaster / wall join with steel box on each side.

Connect PA Cable Grey terminal and Screen audio cable to input on electronics in UConnect Mini.

Cables loomed at rear of faceplate to be connected to outputs on electronics in UConnect Mini, and to USB outlets on GPO.

Hear and Learn UConnect Mini Installation of Hearing Augmentation Sign



Base of sign must be located not less than **1200mm** and not higher than **1600mm** above the floor or ground surface.

AND

On the wall on the latch side of the door with the leading edge of the sign located between **50mm** and **300mm** from the architrave; and where this is not possible, the sign may be placed on the door itself.

* Actual language on sign may vary

